



# DNH

HEAD OFFICE, NORWAY  
**DNH AS**

Phone..... + 47 35 98 56 00  
Fax..... + 47 35 98 56 10  
E-mail..... dnh@dnh.no  
Web-site..... [www.dnh.no](http://www.dnh.no)

ENGLAND  
**DNH WW Ltd**

Phone..... + 44 1908 275 000  
Fax..... + 44 1908 275 100  
E-mail..... dnh@dnh.co.uk

GERMANY  
**DNH GmbH**

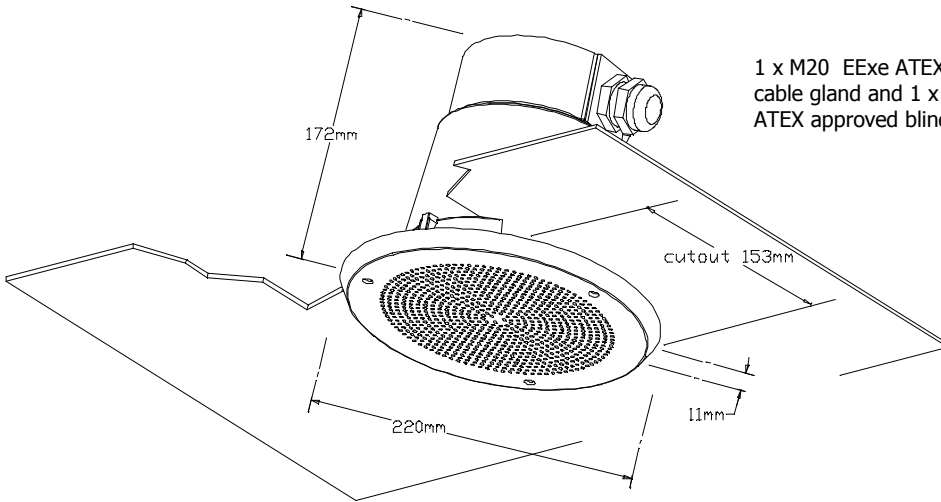
Phone... + 49 040 6569 30-0  
Fax..... + 49 040 6569 30-30  
E-mail..... dnh@dnh.de

USA  
**DNH Speakers Inc**

Phone..... + 1 484 494 5790  
Fax..... + 1 484 494 5793  
E-mail..... dnh@dnhspeakers.com

## BA-56EExeN(T)

ISO 9001 CERTIFIED



Transformer:  
100 Volt line

Primary nominal  
tappings:

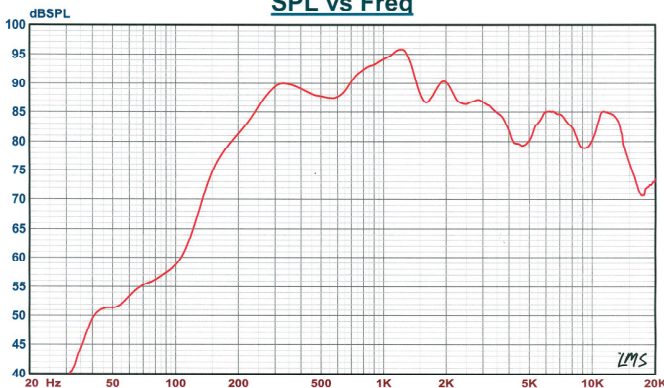
1 : 2    6,0 W  
2 : 3    3,0 W  
3 : 4    1,5 W  
1 : 3    1,0 W  
2 : 4    0,5 W  
1 : 4    0,3 W

1 = Red, 2 = Yellow  
3 = Green, 4 = Blue

Certified by/ Certification code / Number : NEMKO / EEx de IIB+H2 T6 / 10 ATEX 1050

### Sound pressure levels at different frequencies at 1W/1m

**SPL vs Freq**



Material / Color .....Aluminum / RAL 9010  
Mounting..... 3 screws  
Termination ..... e-chamber, screw terminals  
Weight ..... 3,0 kg  
IP-rating (e-chamber)..... 67  
Max. / min. amb. temp ..... 50°C / -20°C  
Standard version ..... 100 V transformer  
Rated / max. power..... 6 W / 6 W  
SPL 1W/1m ..... 88 dB  
SPL rated power..... 95 dB  
Effective freq. range..... 160 – 15000 Hz  
Dispersion (-6dB) 1kHz / 4kHz..... 120° / 55°  
Options ..... Impedances, colors, labels

## Installation, Operation and Maintenance Procedures

- When mounting the loudspeaker please ensure that it is re-assembled in the same manner in which it was received.
- Enter the e-chamber by loosening the screws on the lid and terminate cable in the screw terminal.
- If earthing, earth correctly using the specially marked screws.
- Fasten lid screws with a torque of 2 - 3 Nm to assure the IP rating.
- Secure the loudspeaker to ceiling or wall by 3 screws and then mount the grill to the speaker with 3 screws (enclosed).
- For optimum performance, always use the correct voltage / power and operate within the frequency limits as stated.
- Use only certified/specified cable glands and blanking plugs.
- Do not open loudspeaker when energized.
- This loudspeaker is supplied with a 2-year warranty against defective workmanship.



DNH reserves the right to alter specifications without notice

Rev. 22.09.2011