



# DNH<sup>AS</sup>

**N-3770 Kragerø**  
**NORWAY**  
 Phone: ..... (47) 35 98 56 00  
 Fax: ..... (47) 35 98 56 10  
 E-mail: ..... dnh@dnh.no  
 Web-site: ..... [www.dnh.no](http://www.dnh.no)

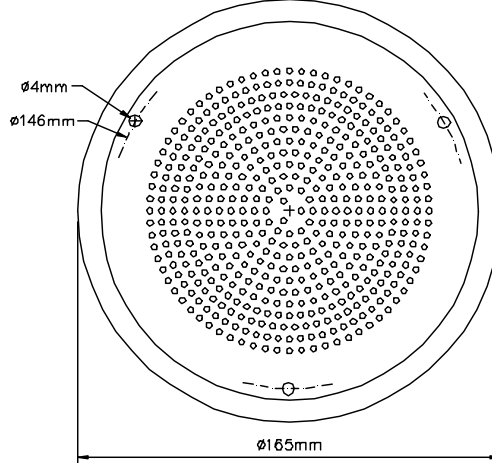
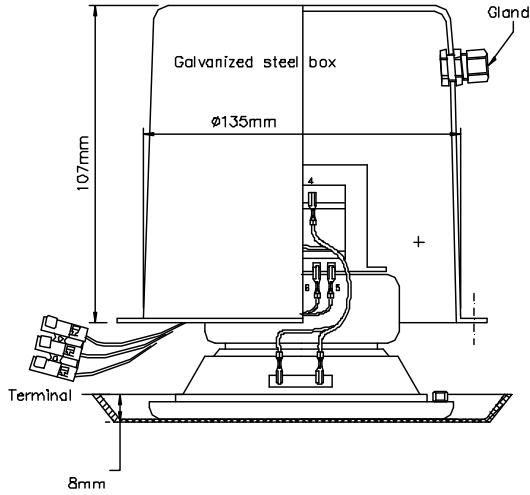
**DNH WW Ltd.** Phone:.....(44) 1908 275 000  
**England** Fax:.....(44) 1908 275 100  
 E-mail:.....dnh@dnh.co.uk

**DNH GmbH** Phone:.....(49) 040 6569 30-0  
**Germany** Fax:.....(49) 040 6569 30-30  
 E-mail:.....dnh@dnh.de

**DNH Speakers Inc.** Phone:.....(1) 484 494 5790  
**USA** Fax:.....(1) 484 494 5793  
 E-mail:.....dnh@dnhspeakers.com

ISO 9001 CERTIFIED

## BF-560S(T)



Transformer:  
 Combined  
 70/100Volt line  
 White : Red 100 V  
 White : Green 70 V

Secondary nominal  
 tapings:  
 C : 6 6,0 W  
 C : 3 3,0 W  
 C : 1,5 1,5 W  
 C : 0,5 0,5 W

Rec. ceiling hole:  $\varnothing$  137 mm

Sound pressure levels at different frequencies at 1W/1m  
 1/3 octave pink noise.



Material / Color ..... Aluminum grille, steel box / RAL9010  
 Mounting ..... 3 + 3 screws  
 Termination ..... Spring clamps  
 Weight ..... (2,64 lb) 1,2 kg  
 IP-rating .....  
 Max / min amb temp ..... 90°C / -20°C  
 Rated / max. power ..... 6 W / 15 W  
 SPL 1W/1m..... 90 dB  
 SPL rated power ..... 97 dB  
 Effective freq. range..... 130 – 15000 Hz  
 Dispersion (-6dB) 1kHz / 4kHz .....170° / 60°  
 Directivity factor, Q .....  
 Options ..... Impedance, color, label

### Installation, Operation and Maintenance Procedures

- Lead cable trough gland and connect to terminal.
- Install box and loudspeaker grill by screws.
- For optimum performance, always use the correct voltage / power and operate within the frequency limits as stated.
- This loudspeaker is supplied with a 2 year warranty against defective workmanship.



DNH reserves the right to alter specifications without notice.

Rev. 12.09.20077