



DNH

HEAD OFFICE, NORWAY
DNH AS

Phone..... + 47 35 98 56 00
Fax..... + 47 35 98 56 10
E-mail..... dnh@dnh.no
Web-site..... www.dnh.no

ENGLAND
DNH WW Ltd

Phone..... + 44 1908 275 000
Fax..... + 44 1908 275 100
E-mail..... dnh@dnh.co.uk

GERMANY
DNH GmbH

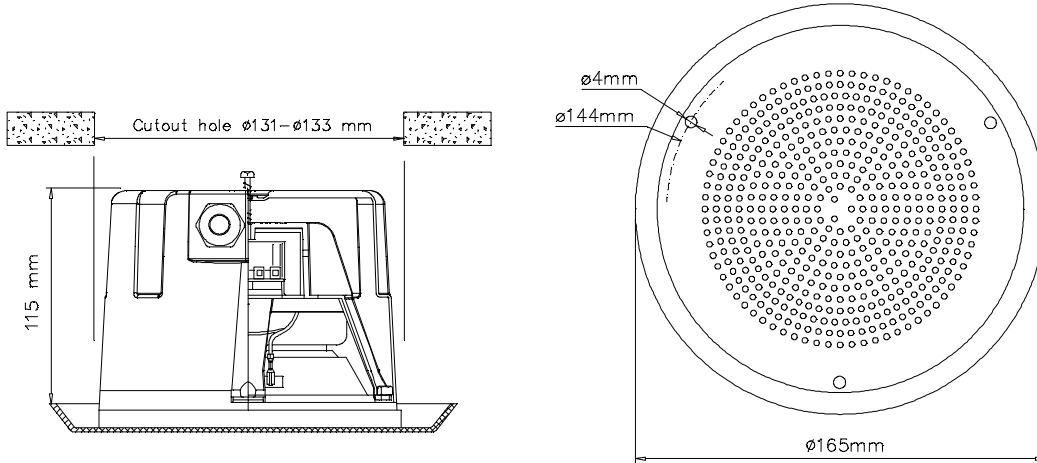
Phone... + 49 040 6569 30-0
Fax..... + 49 040 6569 30-30
E-mail..... dnh@dnh.de

USA
DNH Speakers Inc

Phone..... + 1 484 494 5790
Fax..... + 1 484 494 5793
E-mail..... dnh@dnhspeakers.com

BF-560(T)

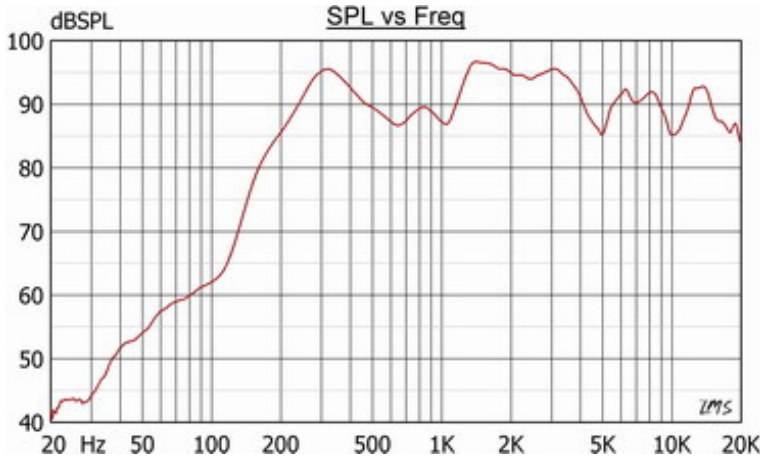
ISO 9001 CERTIFIED



Transformer:
Combined
70/100Volt line
White : Red 100 V
White : Green 70 V

Secondary nominal
tappings:
C : 6 6,0 W
C : 3 3,0 W
C : 1,5 1,5 W
C : 0,5 0,5 W

Sound pressure levels at different frequencies at 1W/1m



Material / Color Aluminum / RAL9010
Mounting 3 screws
Termination Spring clamps
Weight 0,8 kg
IP-rating
Max / min amb temp 90°C / -20°C
Rated / max power 6 W / 15 W
SPL 1W/1m 90 dB
SPL rated power 97 dB
Effective freq range 150 – 20000 Hz
Dispersion (-6dB) 1kHz / 4kHz 170° / 60°
Directivity factor, Q.....
Options Impedances, colors, labels

Installation, Operation and Maintenance Procedures

- Lead cable trough cable inlet in to box and connect to terminal.
- Install box onto loudspeaker and fit complete loudspeaker into ceiling by 3 screws.
- For optimum performance, always use the correct voltage / power and operate within the frequency limits as stated.
- Do not open loudspeaker when energized.
- This loudspeaker is supplied with a 2 year warranty against defective materials and workmanship.



DNH reserves the right to alter specifications without notice

Rev. 08.11.2011