



# DNH<sup>AS</sup>

**N-3770 Kragerø  
NORWAY**

Phone: ..... (47) 35 98 56 00  
Fax: ..... (47) 35 98 56 10  
E-mail: ..... dnh@dnh.no  
Web-site: ..... [www.dnh.no](http://www.dnh.no)

**DNH WW Ltd.  
England**

Phone:.....(44) 1908 275 000  
Fax:.....(44) 1908 275 100  
E-mail:.....dnh@dnh.co.uk

**DNH GmbH  
Germany**

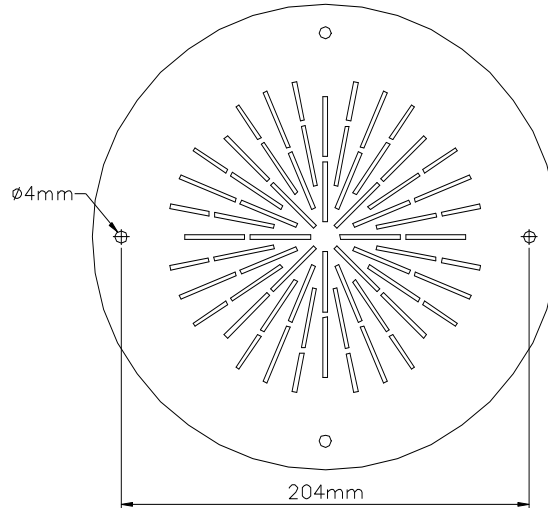
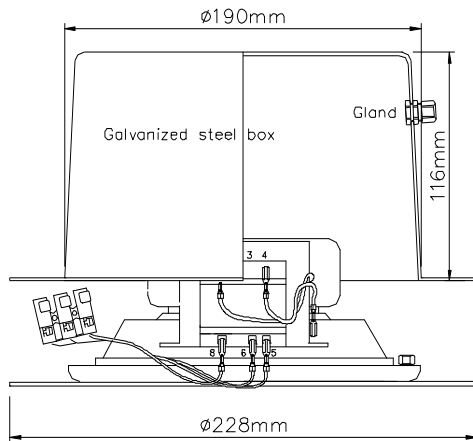
Phone:.....(49) 040 6569 30-0  
Fax:.....(49) 040 6569 30-30  
E-mail:.....dnh@dnh.de

**DNH  
Speakers Inc.  
USA**

Phone:.....(1) 484 494 5790  
Fax:.....(1) 484 494 5793  
E-mail:.....dnh@dnhspeakers.com

ISO 9001 CERTIFIED

## BF-620S(T)



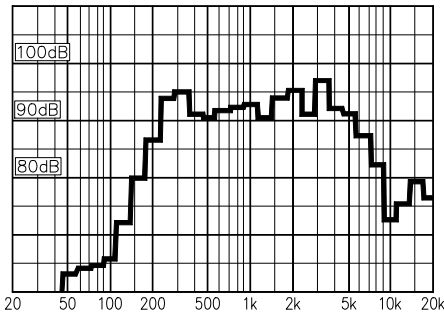
Transformer:

Combined  
70/100Volt line  
White : Red 100 V  
White : Green 70 V

Secondary nominal  
tappings:

C : 6 6,0 W  
C : 3 3,0 W  
C : 1,5 1,5 W  
C : 0,5 0.5 W

Sound pressure levels at different frequencies at  
1W/1m 1/3 octave pink noise.



Rec. ceiling hole:  $\varnothing$  190 mm

Material / Color ..... Aluminium grille, steel box / RAL9010  
Mounting ..... 4 screws  
Termination ..... Spring clamps  
Weight ..... 1,7 kg  
IP-rating ..... 42  
Max. / min. amb. temp ..... 90°C / -20°C  
Standard version ..... 70 / 100 V transformer  
Rated / max. power ..... 6 W / 15 W  
SPL 1W/1m ..... 90 dB  
SPL rated power ..... 97 dB  
Effective freq. range ..... 150 – 15000 Hz  
Dispersion (-6dB) 1kHz / 4kHz ..... 130° / 60°  
Directivity factor, Q .....  
Options ..... Impedance, color, label

### Installation, Operation and Maintenance Procedures

- Lead cable trough gland and connect to terminal.
- Install box and loudspeaker grill by screws.
- For optimum performance, always use the correct voltage / power and operate within the frequency limits as stated.
- Do not open loudspeaker when energized.
- This loudspeaker is supplied with a 2 year warranty against defective workmanship.



DNH reserves the right to alter specifications without notice.

Rev. 24.01.2001