



# DNH

HEAD OFFICE, NORWAY  
**DNH AS**

Phone..... + 47 35 98 56 00  
Fax..... + 47 35 98 56 10  
E-mail..... dnh@dnh.no  
Web-site..... www.dnh.no

ENGLAND  
**DNH WW Ltd**

Phone..... + 44 1908 275 000  
Fax..... + 44 1908 275 100  
E-mail..... dnh@dnh.co.uk

GERMANY  
**DNH GmbH**

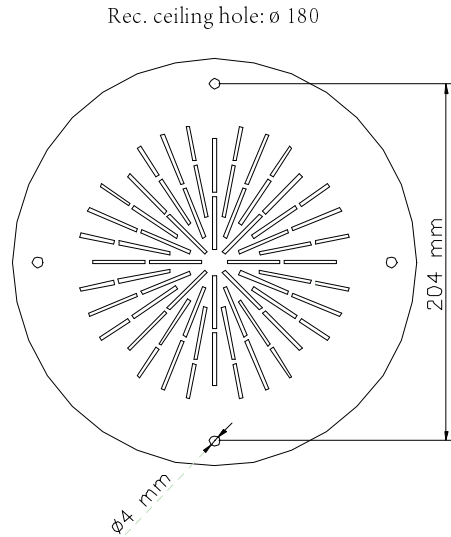
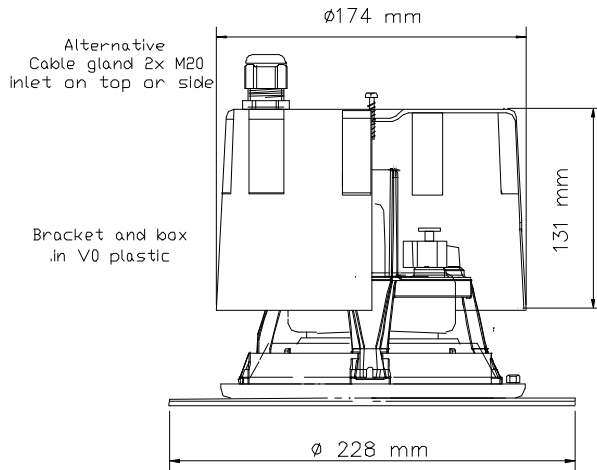
Phone... + 49 040 6569 30-0  
Fax..... + 49 040 6569 30-30  
E-mail..... dnh@dnh.de

USA  
**DNH Speakers Inc**

Phone..... + 1 484 494 5790  
Fax..... + 1 484 494 5793  
E-mail.dnh@dnhspeakers.com

ISO 9001 CERTIFIED

## BF-620(T)



Combined Transformer

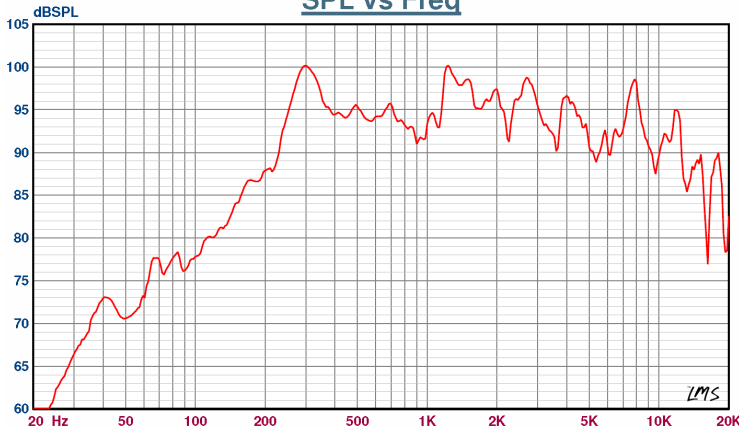
70/100Volt line	
White : Red	100 V
White : Green	70 V

Secondary nominal tapings:

C : 6	6,0 W
C : 3	3,0 W
C : 1,5	1,5 W
C : 0,5	0,5 W

Sound pressure levels at different frequencies at 1W/1m

SPL vs Freq



Material/Colour... Aluminum grille RAL 9010/ V0 plastic box

Mounting ..... 4 screws trough grille

Termination ..... Spring clamp on bracket

Weight ..... 1,2 kg

IP-rating ..... 42

Max. / min. amb. temp ..... 90°C / -20°C

Rated / max. power ..... 6 W / 15 W

SPL 1W/1m ..... 92 dB

SPL rated power ..... 99 dB

Effective freq. range ..... 140 – 20000 Hz

Dispersion (-6dB) 1kHz / 4kHz ..... 130° / 60°

Directivity factor, Q.....

Options..... Impedances, colors, labels

### Installation, Operation and Maintenance Procedures

- Lead the cable trough cable inlet in to plastic-box and connect to terminal.
- Screw box to loudspeaker mounting bracket and install loudspeaker in wall or ceiling by four screws.
- For optimum performance, always use the correct voltage / power and operate within the frequency limits as stated.
- Do not open loudspeaker when energized.
- This loudspeaker is supplied with a 2 year warranty against defective workmanship.



DNH reserves the right to alter specifications without notice

Rev. 31.10.2011