



# DNH<sup>AS</sup>

**N-3770 Kragerø**  
**NORWAY**  
 Phone: ..... (47) 35 98 56 00  
 Fax: ..... (47) 35 98 56 10  
 E-mail: ..... dnh@dnh.no  
 Web-site: ..... [www.dnh.no](http://www.dnh.no)

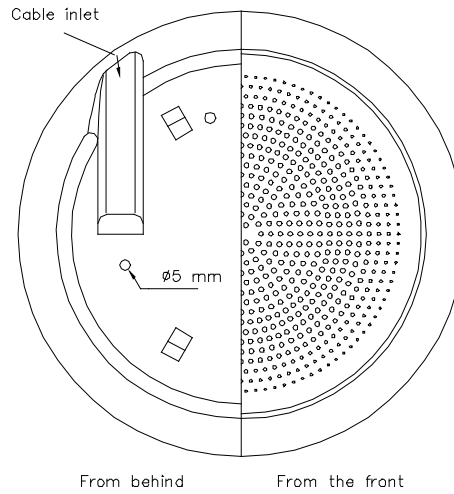
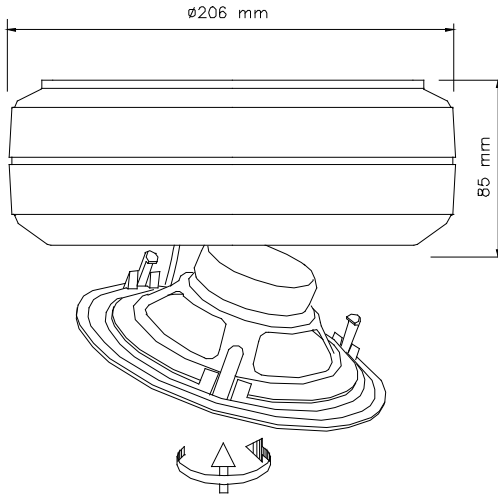
ISO 9001 CERTIFIED

**DNH WW Ltd.** Phone:.....(44) 1908 275 000  
**England** Fax:.....(44) 1908 275 100  
 E-mail:.....dnh@dnh.co.uk

**DNH GmbH** Phone:.....(49) 040 6569 30-0  
**Germany** Fax:.....(49) 040 6569 30-30  
 E-mail:.....dnh@dnh.de

**DNH Speakers Inc.** Phone:.....(1) 484 494 5790  
**USA** Fax:.....(1) 484 494 5793  
 E-mail:.....dnh@dnhspeakers.com

## BLC-550 (T)



**Transformer:**  
 Combined  
 70/100Volt line  
 White : Red 100 V  
 White : Green 70 V

**Secondary nominal**  
**tappings:**  
 C : 6W 6,0 W  
 C : 3W 3,0 W  
 C : 1,5W 1,5 W  
 C : 0,5W 0.5 W

SPL at different frequencies at 1W/1m 1/3 Sine wave



Material / Color .....ABS / RAL 9010  
 Mounting.....Screws (max ø5mm)  
 Termination.....Spring clamp  
 Weight ..... 0,95 kg  
 IP-rating.....  
 Max. / min. amb. temp ..... 90°C / -20°C  
 Rated / max. power ..... 6 W / 6 W  
 SPL 1W/1m ..... 90 dB  
 SPL rated power ..... 97 dB  
 Effective freq. range.....140 – 15000 Hz  
 Dispersion (-6dB) 1kHz / 4kHz..... 150° / 50°  
 Directivity factor, Q.....  
 Options .....Impedance, color, label

### Installation, Operation and Maintenance Procedures

- When mounting the loudspeaker please ensure that it is re-assembled in the same manner in which it was received. Fasten the loudspeaker with 2-4 screws.
- Screw the cabinet to wall or ceiling, connect cable to terminal and screw the loudspeaker front clockwise into fixed position.
- For optimum performance, always use the correct voltage / power and operate within the frequency limits as stated.
- Do not open loudspeaker when energized.
- This loudspeaker is supplied with a 2 year warranty against defective workmanship.