



DNH

HEAD OFFICE, NORWAY

DNH AS

Phone..... + 47 35 98 56 00

Fax..... + 47 35 98 56 10

E-mail..... dnh@dnh.no

Web-site..... www.dnh.no

ENGLAND

DNH WW Ltd

Phone..... + 44 1908 275 000

Fax..... + 44 1908 275 100

E-mail..... dnh@dnh.co.uk

GERMANY

DNH GmbH

Phone... + 49 040 6569 30-0

Fax..... + 49 040 6569 30-30

E-mail..... dnh@dnh.de

CAPEEX-6(T)

USA

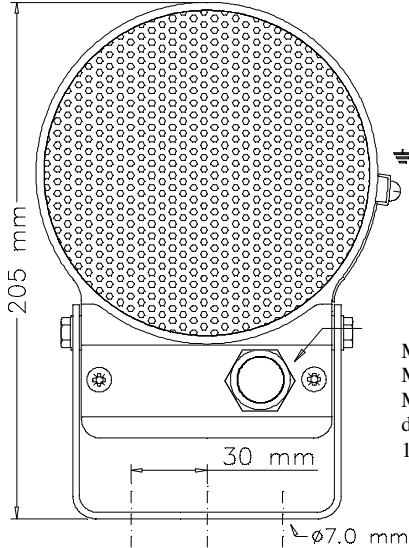
DNH Speakers Inc

Phone..... + 1 484 494 5790

Fax..... + 1 484 494 5793

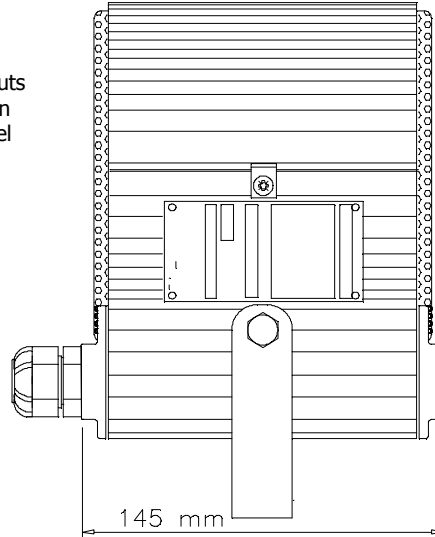
E-mail..... dnh@dnhspeakers.com

ISO 9001 CERTIFIED



All outside nuts and screws in stainless steel

M20 cable gland and M20 blanking plug
Max / min. cable diameter:
13 mm / 8 mm




Transformer:
100 V line (optional 70V, 50V)

Primary nominal tapings:

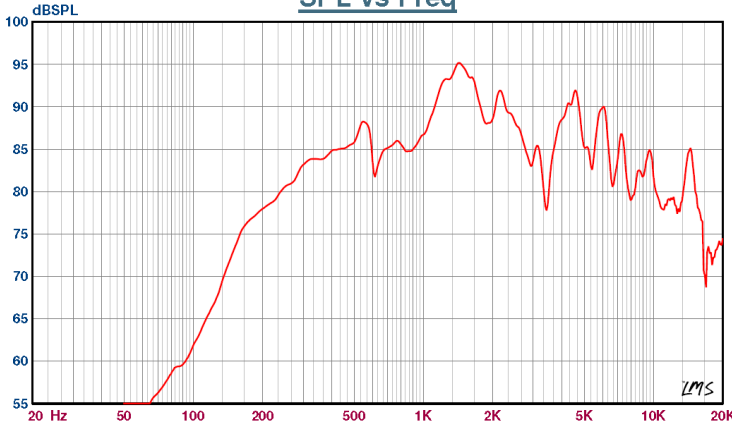
1 : 2	6,0 W
2 : 3	3,0 W
3 : 4	1,5 W
1 : 3	1,0 W
2 : 4	0,5 W
1 : 4	0,3 W

1 = Red, 2 = Yellow
3 = Green, 4 = Blue

Certified by / Certification code / Number: NEMKO / EEx de IIB+H2 T6 Gb/ Nemko 10 ATEX 1054  II 2 G
IECEx NEM 11.0016

Sound pressure levels at different frequencies at 1W/1m

SPL vs Freq



Material / Color Aluminum / anodized
 Mounting Bracket
 Termination e-chamber, screw terminals
 Weight w/ transformer 3,6 kg
 IP-rating (e-chamber) 67
 Max / min amb temp..... 40°C / -20°C
 Rated / max power 6 W / 6 W
 SPL 1W/1m 90 dB
 SPL rated power 97 dB
 Effective freq range 160 – 16000 Hz
 Dispersion (-6dB) 1kHz / 4kHz 180°/90°
 Directivity factor, Q 2,1
 Options Impedance, color, label

Installation, Operation and Maintenance Procedures

- When mounting the loudspeaker please ensure that it is re-assembled in the same manner in which it was received. Fasten bracket to wall or ceiling with 1-3 screws.
- For optimum performance, always use the correct voltage / power and operate within the frequency limits as stated.
- Use only certified/specified cable glands and blanking plugs.
- Enter the e-chamber by loosening the screws on the lid.
- Do not open loudspeaker when energized.
- Fasten lid screws with a torque of 2 - 3 Nm.
- Ex-loudspeakers must be earthed correctly using the specially marked screws.
- This loudspeaker is supplied with a 2 year warranty against defective materials and workmanship.



DNH reserves the right to alter specifications without notice

Rev. 05.10.2011