



DNH

HEAD OFFICE, NORWAY

DNH AS

Phone..... + 47 35 98 56 00

Fax..... + 47 35 98 56 10

E-mail..... dnh@dnh.no

Web-site..... www.dnh.no

ENGLAND

DNH WW Ltd

Phone..... + 44 1908 275 000

Fax..... + 44 1908 275 100

E-mail..... dnh@dnh.co.uk

GERMANY

DNH GmbH

Phone... + 49 040 6569 30-0

Fax..... + 49 040 6569 30-30

E-mail..... dnh@dnh.de

USA

DNH Speakers Inc

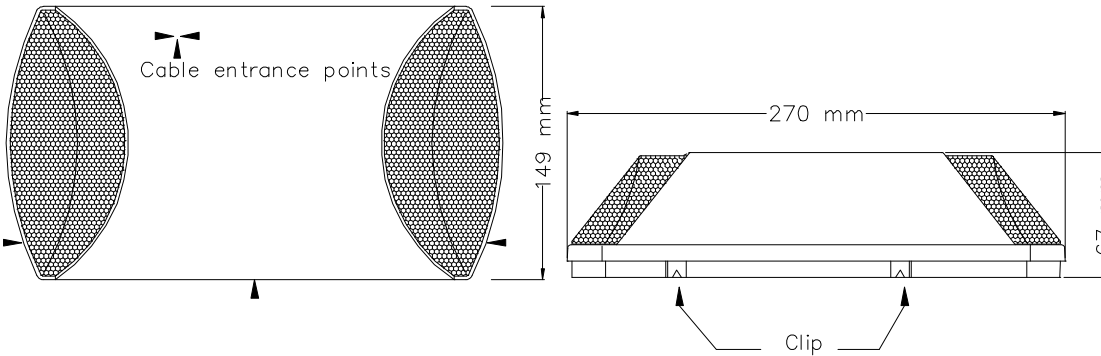
Phone..... + 1 484 494 5790

Fax..... + 1 484 494 5793

E-mail..... dnh@dnhspeakers.com

CP-66(T)

ISO 9001 CERTIFIED



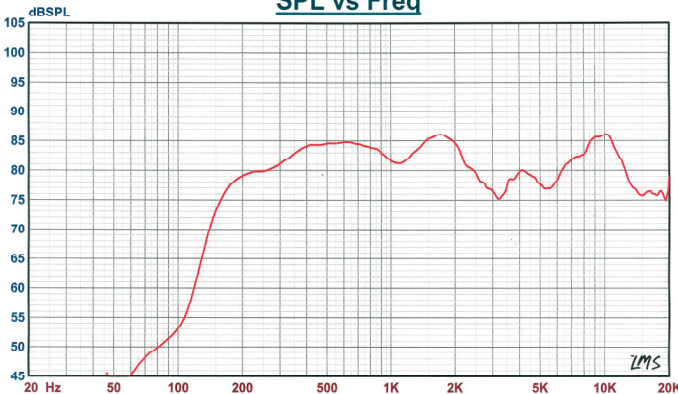
Transformer:
 Combined
 70/100Volt line
 White : Red 100 V
 White : Green 70 V

Secondary nominal
 tapings:
 common : 4 6,0 W
 common : 3 3,0 W
 common : 2 1,5 W
 Common : 1 0.5 W

Remove the lid by pressing the two clips on each side of the loudspeaker

Sound pressure levels at different frequencies at 1W/1m

SPL vs Freq



Material / Color ABS / RAL 9010
 Mounting..... 4 screws
 Termination Internal screw terminals
 Weight 0,77 kg
 IP-rating.....
 Max. / min. amb. temp 90 °C / -20 °C
 Rated / max. power..... 6 W / 10 W
 SPL 1W/1m 86 dB
 SPL rated power..... 94 dB
 Effective freq. range 170 – 20000 Hz
 Dispersion vertical (-6dB) 1kHz / 4kHz 180° / 120°
 Directivity factor, Q
 Options Impedances, colors, labels

Norwegian Design Award



Installation, Operation and Maintenance Procedures

- To open the loudspeaker, press the two clips on each side of the loudspeaker and separate the cabinet from the chassis.
- Enter the cable trough a suitable cable entrance.
- Fasten the chassis to the wall or roof with 4 screws.
- Clip the cabinet on to the chassis after termination.
- For optimum performance, always use the correct voltage / power and operate within the frequency limits as stated.
- Do not open loudspeaker when energized.
- This loudspeaker is supplied with a 2 year warranty against defective workmanship.



DNH reserves the right to alter specifications without notice

Rev. 27.07.2011