



DNH^{AS}

**N-3770 Kragerø
NORWAY**
 Phone: (47) 35 98 56 00
 Fax: (47) 35 98 56 10
 E-mail: dnh@dnh.no
 Web-site: www.dnh.no

**DNH WW Ltd.
England**

Phone:.....(44) 1908 275 000
 Fax:.....(44) 1908 275 100
 E-mail:.....dnh@dnh.co.uk

**DNH GmbH
Germany**

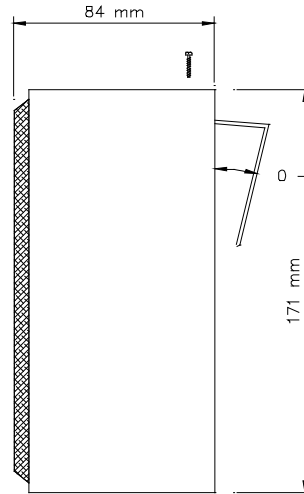
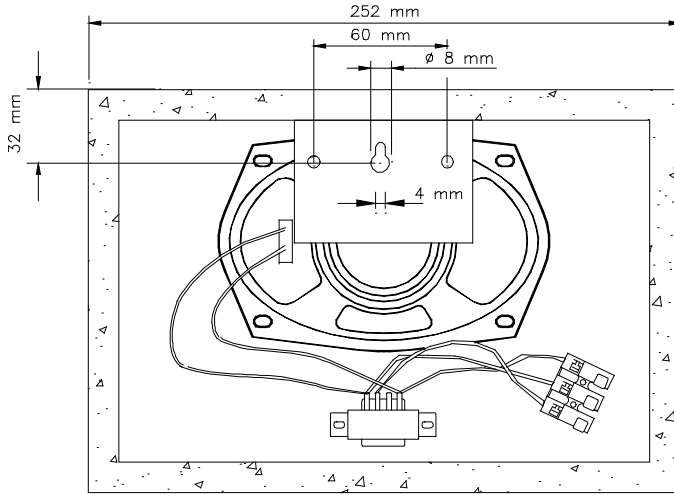
Phone:.....(49) 040 6569 30-0
 Fax:.....(49) 040 6569 30-30
 E-mail:.....dnh@dnh.de

**DNH
Speakers Inc.
USA**

Phone:.....(1) 484 494 5790
 Fax:.....(1) 484 494 5793
 E-mail:.....dnh@dnhspeakers.com

ISO 9001 CERTIFIED

CW-4 (T)



Transformer:
 Combined
 70/100Volt line
 White : Red 100 V
 White : Green 70 V

Secondary nominal
 tapings:
 C : 6 6,0 W
 C : 3 3,0 W
 C : 1,5 1,5 W
 C : 0,5 0,5 W

SPL at different frequencies at 1W/1m Sine wave

SPL vs Freq



Material / Color Particle board /walnut
 Mounting Screws, keyhole
 Termination Spring clamp
 Weight 1,25 kg
 IP-rating
 Max. / min. amb. temp 90°C / -40°C
 Rated / max. power 6 W / 8 W
 SPL 1W/1m 90 dB
 SPL rated power 97 dB
 Effective freq. range 150 – 20000 Hz
 Dispersion (-6dB) 1kHz / 4kHz 140° / 80°
 Directivity factor, Q.....
 Options.....Impedance, color, label

Installation, Operation and Maintenance Procedures

- Screw the bracket on the wall, and fasten the cabinet to the bracket with one screw.
- For optimum performance, always use the correct voltage / power and operate within the frequency limits as stated.
- Take care when the loudspeaker is energized.
- This loudspeaker is supplied with a 2 year warranty against defective workmanship.