



DNH

HEAD OFFICE, NORWAY
DNH AS

Phone..... + 47 35 98 56 00
Fax..... + 47 35 98 56 10
E-mail..... dnh@dnh.no
Web-site..... www.dnh.no

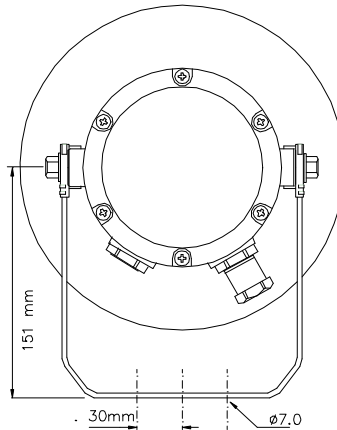
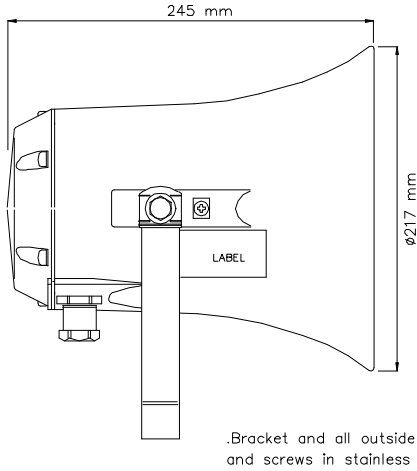
ENGLAND
DNH WW Ltd
Phone..... + 44 1908 275 000
Fax..... + 44 1908 275 100
E-mail..... dnh@dnh.co.uk

GERMANY
DNH GmbH
Phone... + 49 040 6569 30-0
Fax..... + 49 040 6569 30-30
E-mail..... dnh@dnh.de

H-60EExeN(T)

USA
DNH Speakers Inc
Phone..... + 1 484 494 5790
Fax..... + 1 484 494 5793
E-mail..... dnh@dnhspeakers.com

ISO 9001 CERTIFIED



Transformer:
100 V line (options 70V, 50V)

From speaker:
Yellow to black
Primary nominal tapings:
1 : 2 20,0 W
1 : 3 10,0 W
1 : 4 5,0 W

From speaker:
Yellow to white
Primary nominal tapings:
1 : 2 2,5 W
1 : 3 1,2 W
1 : 4 0,6 W

1 = Red, 2 = Yellow
3 = Green, 4 = Blue

Certified by / Certification code / Number: NEMKO / EEx de IIB+H₂ T5 / 01 ATEX 046
Certified by / Certification code / Number: NEMKO / EEx de IIC T5 / 01 ATEX 046



1W/1m sine wave smooth 1/3 octave IIB+H₂ version



Material / Color ...	Aluminum alloy SS4263 / RAL 7035	
Mounting	Bracket	
Termination	e-chamber, screw terminals	
Weight	3,8 kg	
IP-rating (UL equivalent)	67	
Max / min amb temp	50°C / -50°C	
Rated / max power	20 W / 20 W	
SPL 1W/1m	106 dB	101 dB
SPL rated power	117 dB	114 dB
Effective freq. range	370 - 6000 Hz	400-5000
Dispersion (-6dB) 1kHz / 4kHz	125° / 35°	105° / 35°
Directivity factor, Q		
Options	Impedances, colors, labels	

Installation, Operation and Maintenance Procedures

- When mounting the loudspeaker please ensure that it is re-assembled in the same manner in which it was received. Fasten the bracket with 2 screws and ensure to use all washers in the intended position. (To isolate the main body from the bracket)
- To change the position of the loudspeaker, please adjust the bracket (by loosening / tightening the screws) as required.
- For optimum performance, always use the correct voltage / power and operate within the frequency limits as stated.
- Use only certified/specified cable glands and blanking plugs.
- Do not open loudspeaker when energized.
- The loudspeaker should be checked on a regular basis to avoid any build up of debris.
- The aluminum surface of the loudspeaker should be regularly treated with paint at the same interval as with other similar outdoor equipment.
- Fasten lid screws with a torque of 2 - 3 Nm to assure the IP rating.
- If the Ex-loudspeaker is to be earthed, it must be done correctly using the specially marked screws.
- This loudspeaker is supplied with a 2-year warranty against defective materials and workmanship.



DNH reserves the right to alter specifications without notice

Rev. 28.06.2011