



# DNH

HEAD OFFICE, NORWAY

**DNH AS**

Phone..... + 47 35 98 56 00

Fax..... + 47 35 98 56 10

E-mail..... dnh@dnh.no

Web-Site..... www.dnh.no

ENGLAND

**DNH WW Ltd**

Phone..... + 44 1908 275 000

Fax..... + 44 1908 275 100

E-mail..... dnh@dnh.co.uk

GERMANY

**DNH GmbH**

Phone... + 49 040 6569 30-0

Fax..... + 49 040 6569 30-30

E-mail..... dnh@dnh.de

USA

**DNH Speakers Inc**

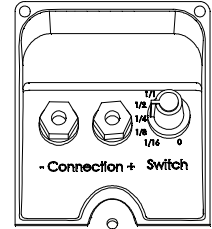
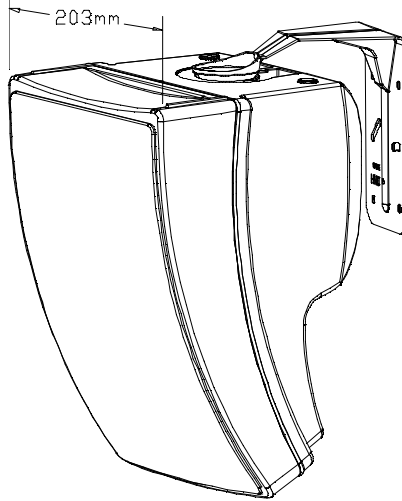
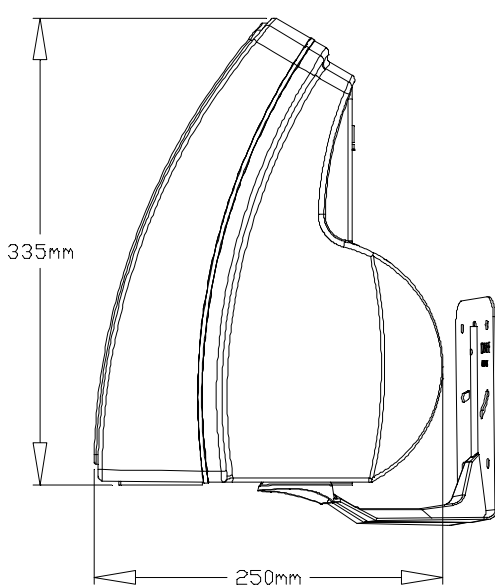
Phone..... + 1 484 494 5790

Fax..... + 1 484 494 5793

E-mail..... dnh@dnhspeakers.com

## MD-60(T)

ISO 9001 CERTIFIED

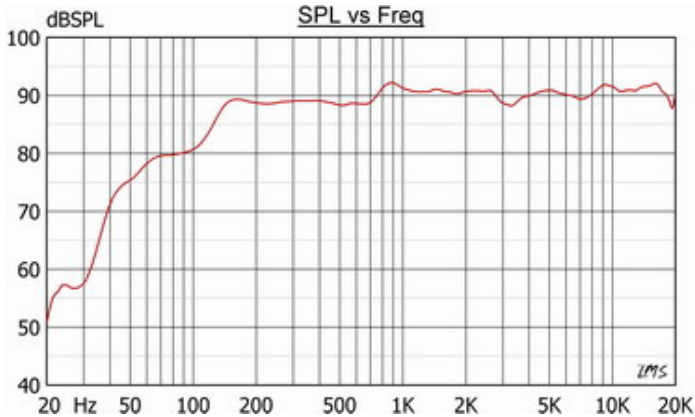


### Secondary switch tappings

1 / 1	60,0 W
1 / 2	30,0 W
1 / 2	15,0 W
1 / 2	7,5 W
1 / 2	3,5 W

MD-60T is delivered with standard steel bracket as shown on the drawing, termination lid, gasket, cable glands, screws and one screw for fastening of bracket to cabinet.

### Sound pressure levels at 1W/1m



### Specifications

Material / Color	ABS / Black or White
Mounting	Bracket
Termination	Screw terminal
Weight w/transformer	3,9 kg
IP-rating	NA
Max. / min. amb. temp	90°C / -20°C
Rated / max. power	60 W / 100 W
SPL 1W/1m	90 dB
SPL rated power	109 dB
Effective freq. range	45 – 20000 Hz
Dispersion (-6dB) 1kHz / 4kHz	110° / 55°
Options	Impedances, colors, labels

### Installation, Operation and Maintenance Procedures

- MD-60 is available with 60W transformer, and optional brackets are available on request.
- Screw bracket to wall or ceiling, place cabinet onto ball socket and tighten bolt.
- Connect to screw terminal and select required volume with the switch.
- Screw on lid with gasket and tighten cable glands to assure a good sealing towards cable.
- For optimum performance, always use the correct voltage / power and operate within the frequency limits as stated.
- Do not open loudspeaker when energized.
- This loudspeaker is supplied with a 2 year warranty against defective workmanship.

DNH reserves the right to alter specifications without notice

