



# DNH<sup>AS</sup>

**N-3770 Kragerø  
NORWAY**  
 Phone: ..... (47) 35 98 56 00  
 Fax: ..... (47) 35 98 56 10  
 E-mail: ..... dnh@dnh.no  
 Web-site: ..... [www.dnh.no](http://www.dnh.no)

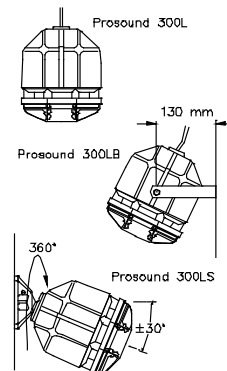
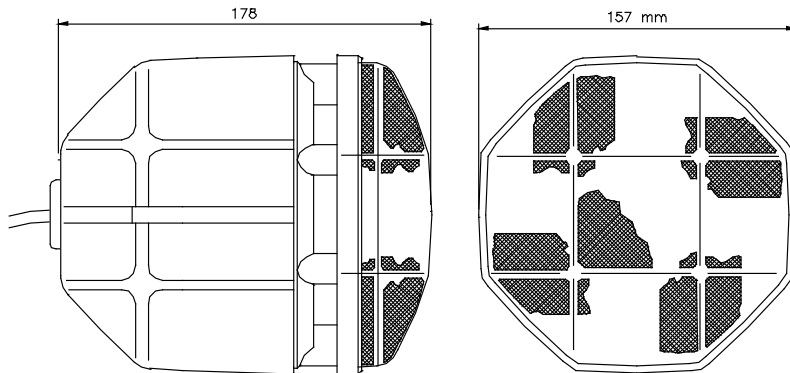
**DNH WW Ltd.  
England**  
 Phone:.....(44) 1908 275 000  
 Fax:.....(44) 1908 275 100  
 E-mail:.....dnh@dnh.co.uk

## ProSound-300(T)

**DNH GmbH  
Germany**  
 Phone:.....(49) 040 6569 30-0  
 Fax:.....(49) 040 6569 30-30  
 E-mail:.....dnh@dnh.de

**DNH  
Speakers Inc.  
USA**  
 Phone:.....(1) 484 494 5790  
 Fax:.....(1) 484 494 5793  
 E-mail:.....dnh@dnhspeakers.com

ISO 9001 CERTIFIED



Transformer:  
100 Volt line

Primary nominal  
tappings:

1 : 2	30,0W
2 : 3	15,5W
3 : 4	7,5W
1 : 3	5,5W
2 : 4	2,7W
1 : 4	2,0W

1 = Red, 2 = Yellow,  
3 = Green, 4 = Blue

Black : White 8 ohm

SPL at different frequencies at 1W/1m Sine wave.

**SPL vs Freq**



Material / Colour ... Polyamid / Black or white (RAL 7035)  
 Mounting By cable as pendant / Bracket / Swivel bracket  
 Termination ..... Cable, 2m  
 Weight (LT ) ..... 2,4 kg  
 IP-rating..... 54  
 Max. / min. amb. temp ..... 90°C / -20°C  
 Rated / max. power ..... 30 W / 50 W  
 SPL 1W/1m ..... 85 dB  
 SPL rated power ..... 100 dB  
 Effective freq. range..... 125 – 20000 Hz  
 Dispersion (-6dB) 1kHz / 4kHz..... 120° / 100°  
 Directivity factor, Q .....

Options.....Impedance, color, label

### **Installation, Operation and Maintenance Procedures**

- How to mount the loudspeaker:
  - Lamp-version (L): Ensure that the cable is fastened securely to the ceiling.
  - Bracket-version (LB): Screw the bracket to wall or ceiling with screws.
  - Swivel bracket version (LS): Read mounting instructions on carton box.
- To change the position of the loudspeaker:
  - Bracket version (LB): Adjust the bracket (by loosening / tightening the screws) as required.
  - Swivel bracket version (LS): Adjust the swivel base (by loosening / tightening the screws) as required.
- For optimum performance, always use the correct voltage / power and operate within the frequency limits as stated.
- Take care when loudspeaker is energized (100V).
- This loudspeaker is supplied with a 2 year warranty against defective workmanship.