



DNH^{AS}

N-3770 Kragerø
NORWAY
 Phone: (47) 35 98 56 00
 Fax: (47) 35 98 56 10
 E-mail: dnh@dnh.no
 Web-site: www.dnh.no

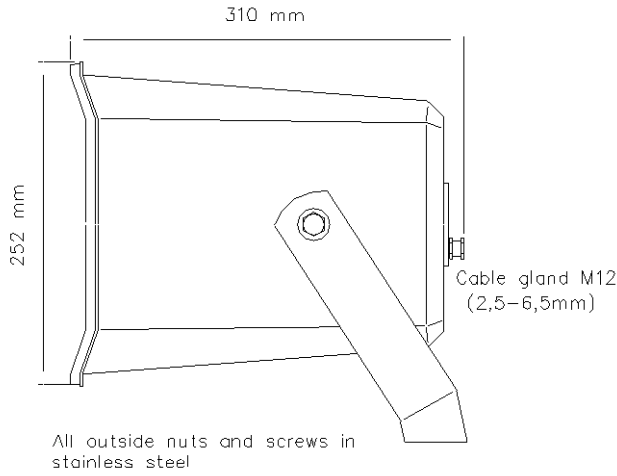
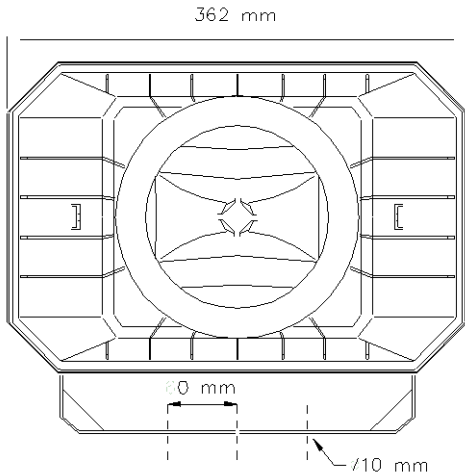
DNH WW Ltd. Phone:.....(44) 1908 275 000
England Fax:.....(44) 1908 275 100
 E-mail:.....dnh@dnh.co.uk

DNH GmbH Phone:.....(49) 040 6569 30-0
Germany Fax:.....(49) 040 6569 30-30
 E-mail:.....dnh@dnh.de

DNH Speakers Inc. Phone:.....(1) 484 494 5790
USA Fax:.....(1) 484 494 5793
 E-mail:.....dnh@dnhspeakers.com

ISO 9001 CERTIFIED

MH-15 (T)



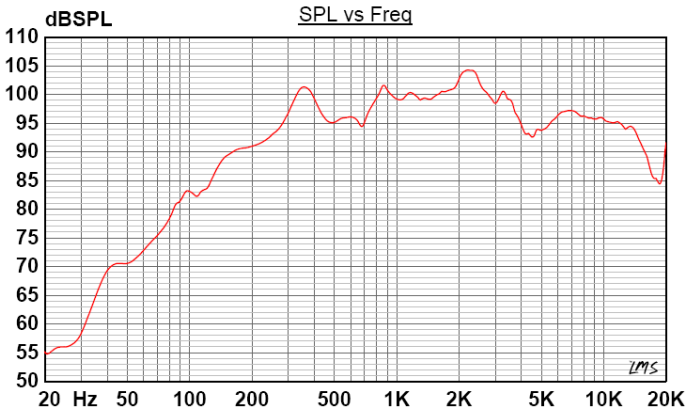
Transformer:
 100 Volt line

Primary nominal
 tapings:

1 : 2	15 W
2 : 3	7,5 W
3 : 4	3,5 W
1 : 3	2,8 W
2 : 4	1,3 W
1 : 4	0,7 W
1 : 5	8Ω

1 = Red, 2 = Yellow
 3 = Green, 4 = Blue
 5 = Black

SPL at different frequencies at 1W/1m Sine wave



Material / Color ABS, polypropylene / RAL 7035
 Mounting Aluminum bracket
 Termination Screw terminals in termination chamber
 Weight 3,2 kg
 IP-rating 55
 Max / min amb temp 90°C / -40°C
 Rated / max power 15 W / 25 W
 SPL 1W/1m 99 dB
 SPL rated power 110 dB
 Effective freq range 140 – 16000 Hz
 Dispersion (-6dB) 1kHz / 4kHz 65° / 20°
 Options Impedances, colors, labels

Installation, Operation and Maintenance Procedures

- When mounting the loudspeaker please ensure that it is re-assembled in the same manner in which it was received. Fasten bracket to wall og ceiling by 1-3 screws.
Remove lid and connect cable to terminal.
- To change the position of the loudspeaker, adjust the bracket (by loosening / tightening the screws) as required.
- For optimum performance, always use the correct voltage / power and operate within the frequency limits as stated.
- Do not open loudspeaker when energized.
- Fasten lid with a torque of 1-2 Nm.
- This loudspeaker is supplied with a 2 year warranty against defective materials and workmanship.