



DNH^{AS}

**N-3770 Kragerø
NORWAY**
 Phone: (47) 35 98 56 00
 Fax: (47) 35 98 56 10
 E-mail: dnh@dnh.no
 Web-site: **www.dnh.no**

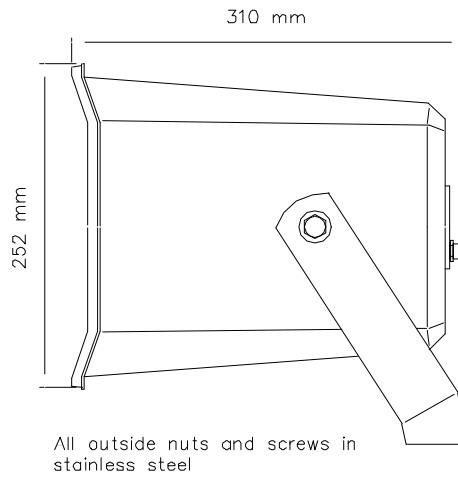
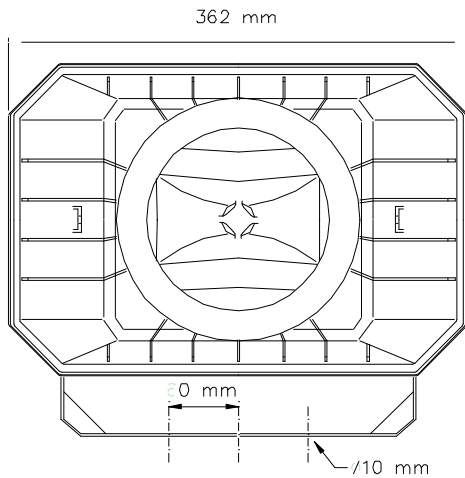
**DNH WW Ltd.
England**
 Phone:.....(44) 1908 275 000
 Fax:.....(44) 1908 275 100
 E-mail:.....dnh@dnh.co.uk

**DNH GmbH
Germany**
 Phone:.....(49) 040 6569 30-0
 Fax:.....(49) 040 6569 30-30
 E-mail:.....dnh@dnh.de

**DNH
Speakers Inc.
USA**
 Phone:.....(1) 484 494 5790
 Fax:.....(1) 484 494 5793
 E-mail:.....dnh@dnhspeakers.com

ISO 9001 CERTIFIED

MH-50 (T)



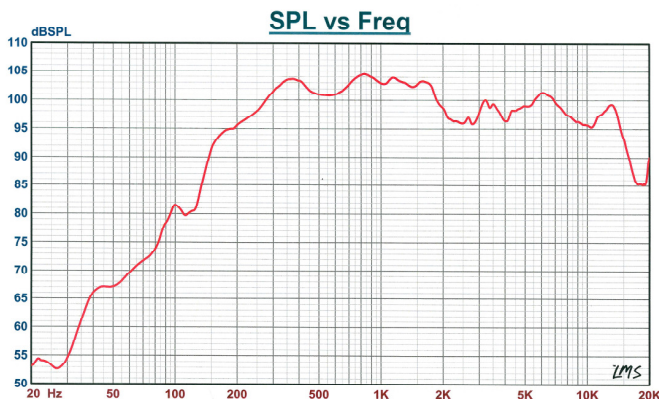
Transformer:
100 Volt line

Primary nominal
tappings:

1 : 2	50,0 W
2 : 3	25,0 W
3 : 4	12,5 W
1 : 3	9,0 W
2 : 4	4,5 W
1 : 4	3,0 W
1 : 5	8Ω

1 = Red, 2 = Yellow
3 = Green, 4 = Blue
5 = Black

SPL at different frequencies at 1W/1m Sine wave



Material / Color ABS, Polypropylene / RAL 7035
 Mounting Aluminum bracket
 Termination Screw terminals in termination chamber
 Weight 4,1 kg
 IP-rating (12) 55
 Max / min amb temp 90°C / -40°C
 Rated / max. power 50 W / 80 W
 SPL 1W/1m 104 dB
 SPL rated power 121 dB
 Effective freq. range 140 – 16000 Hz
 Dispersion (-6dB) 1kHz / 4kHz 65° / 20°
 Directivity factor, Q
 Options Impedances, colors, labels

Installation, Operation and Maintenance Procedures

- When mounting the loudspeaker please ensure that it is re-assembled in the same manner in which it was received. Fasten bracket with 2-3 screws.
- To change the position of the loudspeaker, adjust the bracket (by loosening / tightening the screws) as required.
- For optimum performance, always use the correct voltage / power and operate within the frequency limits as stated.
- Do not open loudspeaker when energized.
- Fasten termination chamber lid with a torque of 1-2 Nm.
- This loudspeaker is supplied with a 2 year warranty against defective materials and workmanship.

