



DNH^{AS}

N-3770 Kragerø
NORWAY
 Phone: (47) 35 98 56 00
 Fax: (47) 35 98 56 10
 E-mail: dnh@dnh.no
 Web-site: www.dnh.no

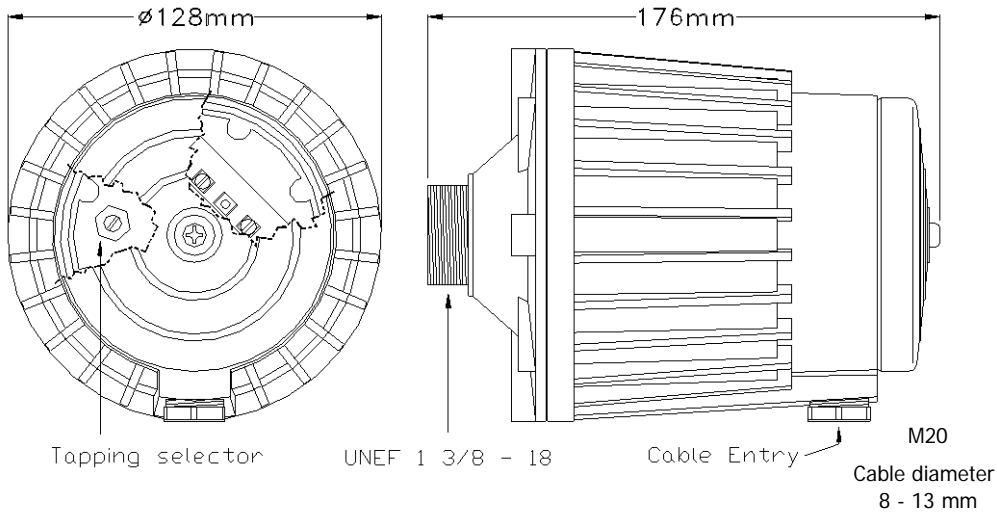
DNH WW Ltd. Phone:.....(44) 1908 275 000
England Fax:.....(44) 1908 275 100
 E-mail:.....dnh@dnh.co.uk

DNH GmbH Phone:.....(49) 040 6569 30-0
Germany Fax:.....(49) 040 6569 30-30
 E-mail:.....dnh@dnh.de

DNH Speakers Inc. Phone:.....(1) 484 494 5790
USA Fax:.....(1) 484 494 5793
 E-mail:.....dnh@dnhspeakers.com

ISO 9001 CERTIFIED

DST-100

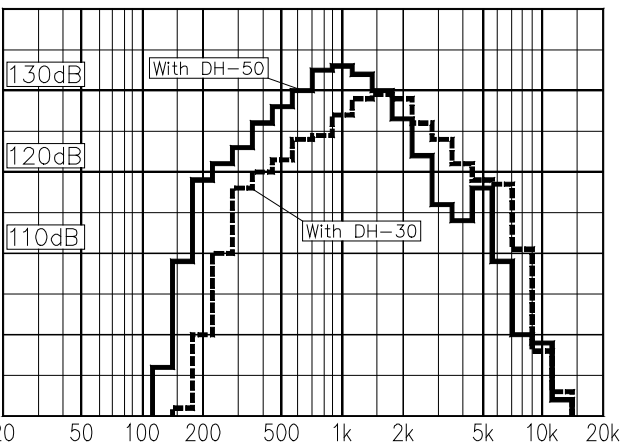


100 Volt line

Secondary switch
 tapings:

1/1	100,0 W
1/2	60,0 W
1/4	30,0 W
1/8	15,0 W
1/16	7,5 W

100W/1m Pink Noise 1/3 octave bands



DH-50 DH-30

Material / ColorAluminum alloy / RAL 7035
 Mounting..... Threaded UNEF 1 3/8 - 18
 Termination Inside screw terminals
 Weight driver unit2,5 kg
 IP-rating (UL equivalent) 67
 Max / min amb temp200 °C / -50 °C
 Rated / max power100 W / 100 W
 SPL 1W/1m with horn..... 112 dB 110 dB
 SPL rated power with horn..... 132 dB 130 dB
 Effective freq range with horn200 – 5000 Hz 300-5000
 Dispersion (-6dB) 1kHz / 4kHz.....50° / 20° 80° / 25°
 Options Impedances, colors, labels

Installation, Operation and Maintenance Procedures

- Screw driver unit into a suitable horn (ie. DNH modell DH-30).
- For optimum performance, always use the correct voltage / power and operate within the frequency limits as stated.
- The loudspeaker should be checked on a regular basis to avoid any build up of debris.
- This loudspeaker is supplied with a 2 year warranty against defective materials and workmanship.