



DNH^{AS}

N-3770 Kragerø
NORWAY
 Phone: (47) 35 98 56 00
 Fax: (47) 35 98 56 10
 E-mail: dnh@dnh.no
 Web-site: www.dnh.no

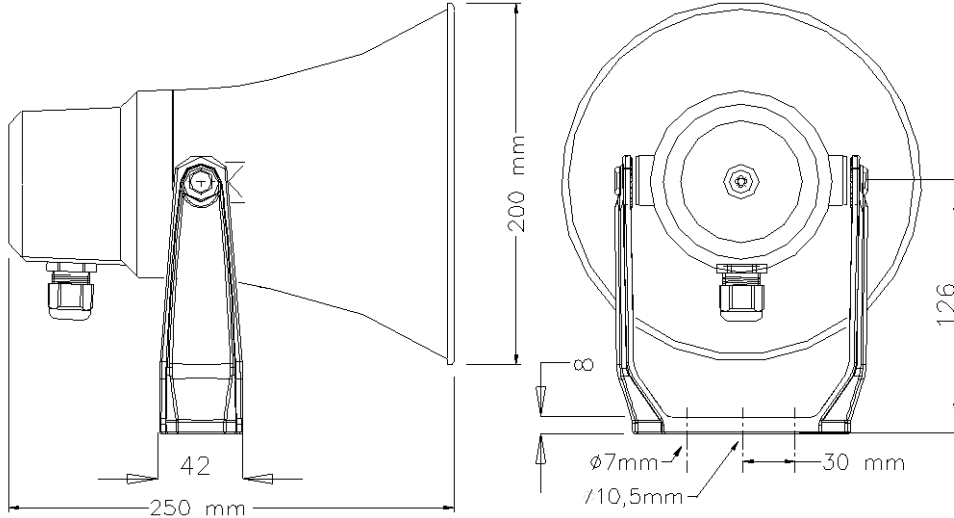
DNH WW Ltd. Phone:.....(44) 1908 275 000
England Fax:.....(44) 1908 275 100
 E-mail:.....dnh@dnh.co.uk

DNH GmbH Phone:.....(49) 040 6569 30-0
Germany Fax:.....(49) 040 6569 30-30
 E-mail:.....dnh@dnh.de

DNH Speakers Inc. Phone:.....(1) 484 494 5790
USA Fax:.....(1) 484 494 5793
 E-mail:.....dnh@dnhspeakers.com

ISO 9001 CERTIFIED

HP-15(T)



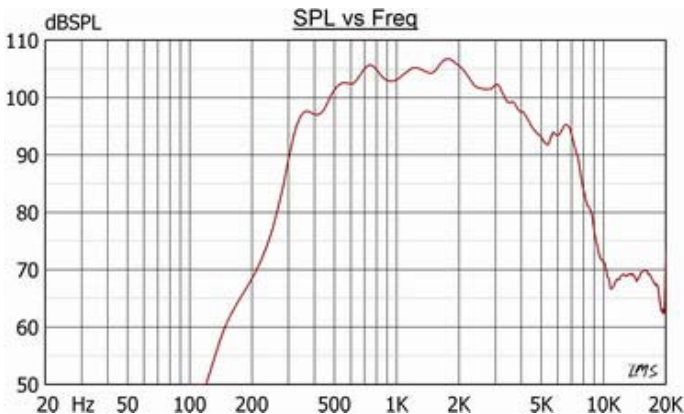
70/100 volt Combined Transformer:

Primary connections:
 5 : 7 70 Volt line
 5 : 8 100 Volt line

Secondary nominal tapings:

C : 4 15,0 W
 C : 3 7,5 W
 C : 2 4,0 W
 C : 1 2,0 W

Sound pressure levels at different frequencies at 1W/1m sine wave



Material / ColorASA / RAL 7035
 Mounting.....Bracket
 Termination.....Inside screw connections
 Weight.....1,5 kg
 IP-rating.....56
 Max. / min. amb. temp.....90 °C / -50 °C
 Rated / max. power.....15 W / 20 W
 SPL 1W/1m.....108 dB
 SPL rated power.....118 dB
 Effective freq. range.....330 – 8000 Hz
 Dispersion (-6dB) 1kHz / 4kHz.....130° / 35°
 Directivity factor, Q (2kHz).....8,3
 Options.....Impedances, colors, labels

Installation, Operation and Maintenance Procedures

- When mounting the loudspeaker please ensure that it is re-assembled in the same manner in which it was received. Fasten the bracket with 2-3 screws .
- To change the position of the loudspeaker please adjust the bracket (by loosening / tightening the screws) as required.
- For optimum performance, always use the correct voltage / power and operate within the frequency limits as stated.
- Do not open loudspeaker when energized.
- Fasten lid with a torque of 1 - 2 Nm.
- This loudspeaker is supplied with a 2 year warranty against defective workmanship.