



# DNH

HEAD OFFICE, NORWAY

**DNH AS**

Phone..... + 47 35 98 56 00

Fax..... + 47 35 98 56 10

E-mail..... dnh@dnh.no

Web-site..... www.dnh.no

ENGLAND

**DNH WW Ltd**

Phone..... + 44 1908 275 000

Fax..... + 44 1908 275 100

E-mail..... dnh@dnh.co.uk

GERMANY

**DNH GmbH**

Phone... + 49 040 6569 30-0

Fax..... + 49 040 6569 30-30

E-mail..... dnh@dnh.de

USA

**DNH Speakers Inc**

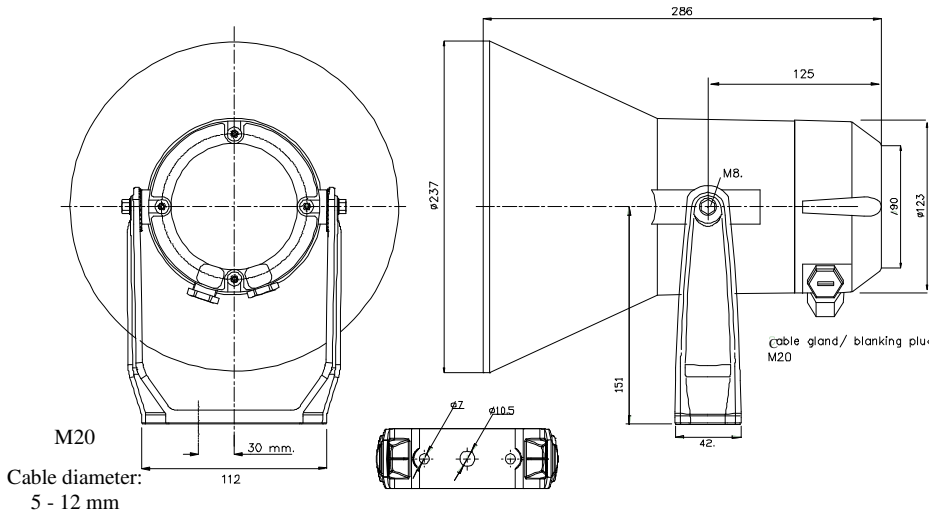
Phone..... + 1 484 494 5790

Fax..... + 1 484 494 5793

E-mail..... dnh@dnhspeakers.com

## HP-30(T)

ISO 9001 CERTIFIED



50/70/100 volt Combined Transformer:

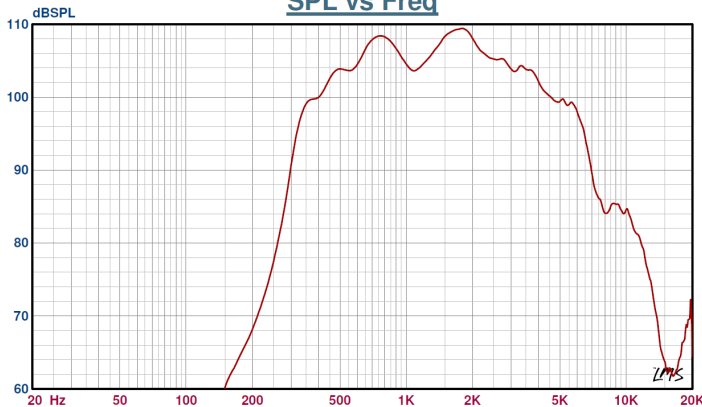
Primary connections:  
 6 : 7 50 Volt line  
 6 : 8 70 Volt line  
 6 : 9 100 Volt line

Secondary nominal tapings:  
 1 : 4 30,0 W  
 1 : 3 15,0 W  
 2 : 4 10,0 W  
 1 : 2 7,5 W  
 3 : 4 3,5 W  
 2 : 3 2,0 W

6 = White, 8= Green, 9 = Red

Sound pressure levels at different frequencies at 1W/1m

SPL vs Freq



Material / Color ..... Polyamide / RAL 7035  
 Mounting ..... Bracket  
 Termination ..... Inside screw connections  
 Weight w/transformer ..... 2,1 kg  
 IP-rating ..... 67  
 Max. / min. amb. temp ..... 150 °C / -50 °C  
 Rated / max. power ..... 30 W / 40 W  
 SPL 1W/1m ..... 110 dB  
 SPL rated power ..... 124 dB  
 Effective freq. range ..... 310 – 8000 Hz  
 Dispersion (-6dB) 1kHz / 4kHz ..... 115° / 30°  
 Directivity factor, Q(2kHz) ..... 9,3  
 Options ..... Impedances, colors, labels

### Installation, Operation and Maintenance Procedures

- When mounting the loudspeaker please ensure that it is re-assembled in the same manner in which it was received. Fasten bracket with 1-3 screws.
- To change the position of the loudspeaker please adjust the bracket (by loosening / tightening the screws) as required.
- For optimum performance, always use the correct voltage / power and operate within the frequency limits as stated.
- Do not open loudspeaker when energized.
- Fasten lid with a torque of 2 - 3 Nm.
- This loudspeaker is supplied with a 2 year warranty against defective workmanship.



DNH reserves the right to alter specifications without notice

Rev. 9.8.2011