



DNH

HEAD OFFICE, NORWAY

DNH AS

Phone..... + 47 35 98 56 00

Fax..... + 47 35 98 56 10

E-mail..... dnh@dnh.no

Web-site..... www.dnh.no

ENGLAND

DNH WW Ltd

Phone..... + 44 1908 275 000

Fax..... + 44 1908 275 100

E-mail..... dnh@dnh.co.uk

GERMANY

DNH GmbH

Phone... + 49 040 6569 30-0

Fax..... + 49 040 6569 30-30

E-mail..... dnh@dnh.de

USA

DNH Speakers Inc

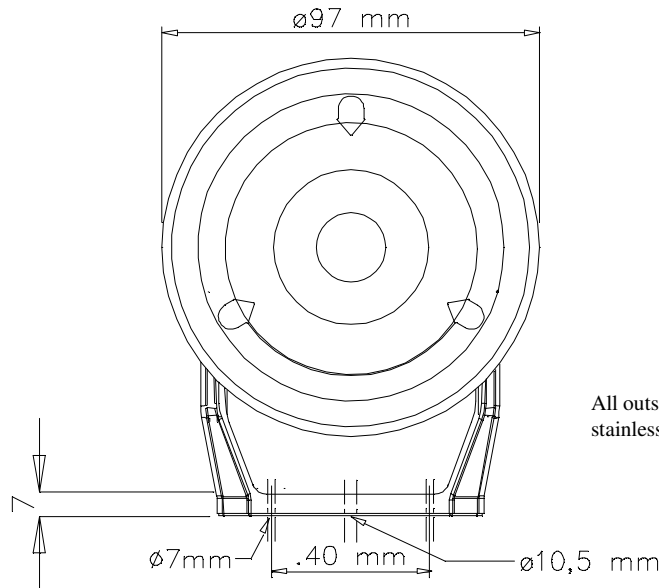
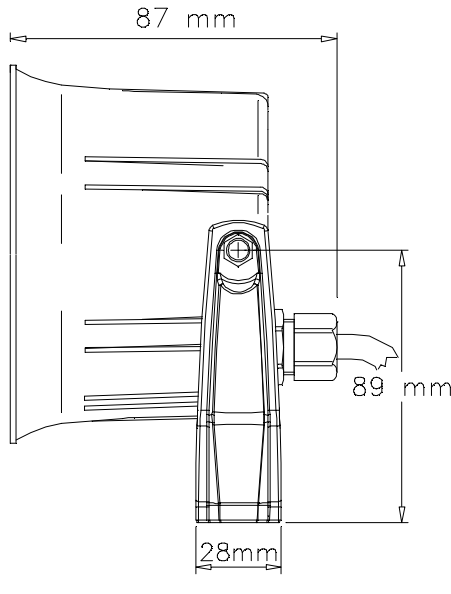
Phone..... + 1 484 494 5790

Fax..... + 1 484 494 5793

E-mail..... dnh@dnhspeakers.com

HP-6

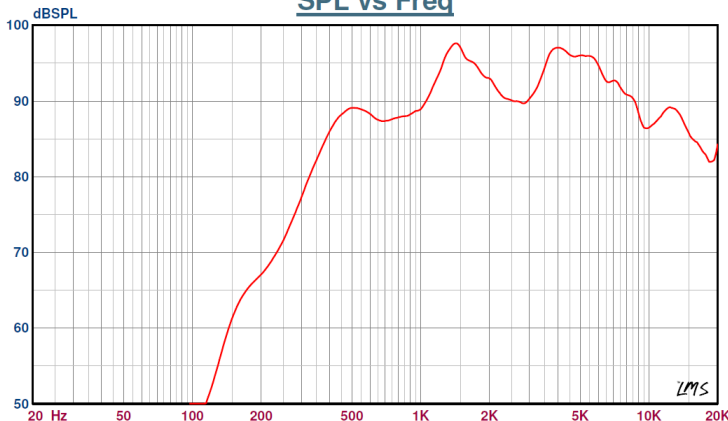
ISO 9001 CERTIFIED



All outside nuts and screws in stainless steel.

Sound pressure levels at different frequencies at 1W/1m
MP-6

SPL vs Freq



Material / Color..... Polyamide UL94 V0 / RAL 7035
 Mounting..... Insertion
 Termination..... Cable, 0,5m
 Weight..... 0,35 kg
 IP-rating67
 Max / min amb temp..... 110 °C / -40 °C
 Rated / max power6 W / 15 W
 SPL 1W/1m 100 dB
 SPL rated power 107 dB
 Effective freq range..... 300 – 20000 Hz
 Dispersion (-6dB) 170° / 70°
 Options Impedances, colors, labels

Installation, Operation and Maintenance Procedures

- Fasten bracket with 1-3 screws, to wall or ceiling.
- To change the position of the loudspeaker, please adjust the bracket (by loosening/tightening the screws) as required.
- HP-6 is delivered with cable and the cable should be terminated in a suitable junction box.
- For optimum performance, always use the correct voltage / power and operate within the frequency limits as stated.
- This loudspeaker is supplied with a 2 year warranty against defective materials and workmanship.



DNH reserves the right to alter specifications without notice

Rev. 15.8.2011