



DNH

HEAD OFFICE, NORWAY

DNH AS

Phone..... + 47 35 98 56 00

Fax..... + 47 35 98 56 10

E-mail..... dnh@dnh.no

Web-site..... www.dnh.no

ENGLAND

DNH WW Ltd

Phone..... + 44 1908 275 000

Fax..... + 44 1908 275 100

E-mail..... dnh@dnh.co.uk

GERMANY

DNH GmbH

Phone... + 49 040 6569 30-0

Fax..... + 49 040 6569 30-30

E-mail..... dnh@dnh.de

USA

DNH Speakers Inc

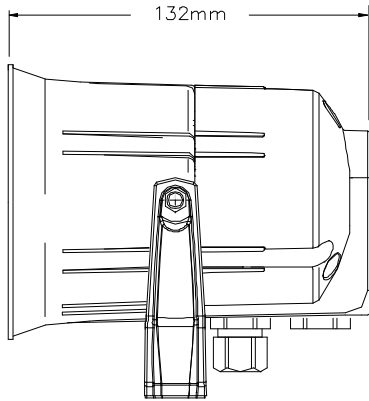
Phone..... + 1 484 494 5790

Fax..... + 1 484 494 5793

E-mail..... dnh@dnhspeakers.com

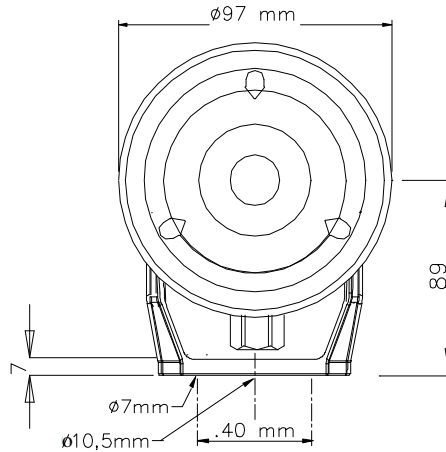
HP-6C(T)

ISO 9001 CERTIFIED



1xM20 Gland
1xM20 Blanking plug

Cable diameter:
6 - 12 mm



Transformer: Combined

70 / 100 Volt line

(White) : (Green)

70V

(White) : (Red)

100V

Secondary nominal tapings:

C: 6 6W

C: 3 3W

C: 1,5 1,5W

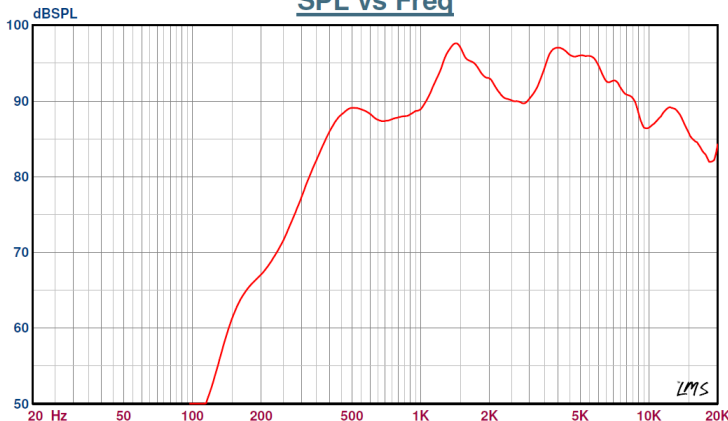
C: 0,5 0,5W

All outside nuts and screws in stainless steel.

Sound pressure levels at different frequencies at 1W/1m

MP-6

SPL vs Freq



Material / Color..... Polyamide UL94 V0 / RAL 7035
 Mounting..... Bracket
 Termination..... Inside screw terminal
 Weight w/ transformer 0,6 kg
 IP-rating (UL equivalent) 67
 Max / min amb temp..... 110 °C / -40 °C
 Rated / max power 6 W / 15 W
 SPL 1W/1m 100 dB
 SPL rated power 107 dB
 Effective freq range..... 300 - 20000 Hz
 Dispersion (-6dB)
 Options..... Impedances, colors, labels

Installation, Operation and Maintenance Procedures

- Remove lid to connect to terminal
- Fasten bracket with 2 screws.
- To change the position of the loudspeaker, please adjust the bracket (by loosening / tightening the screws) as required.
- For optimum performance, always use the correct voltage / power and operate within the frequency limits as stated.
- Fasten lid with a torque of 1 - 2 Nm
- This loudspeaker is supplied with a 2 year warranty against defective materials and workmanship.



DNH reserves the right to alter specifications without notice

Rev. 16.8.2011