



DNH

HEAD OFFICE, NORWAY

DNH AS

Phone..... + 47 35 98 56 00

Fax..... + 47 35 98 56 10

E-mail..... dnh@dnh.no

Web-site..... www.dnh.no

ENGLAND

DNH WW Ltd

Phone..... + 44 1908 275 000

Fax..... + 44 1908 275 100

E-mail..... dnh@dnh.co.uk

GERMANY

DNH GmbH

Phone... + 49 040 6569 30-0

Fax..... + 49 040 6569 30-30

E-mail..... dnh@dnh.de

USA

DNH Speakers Inc

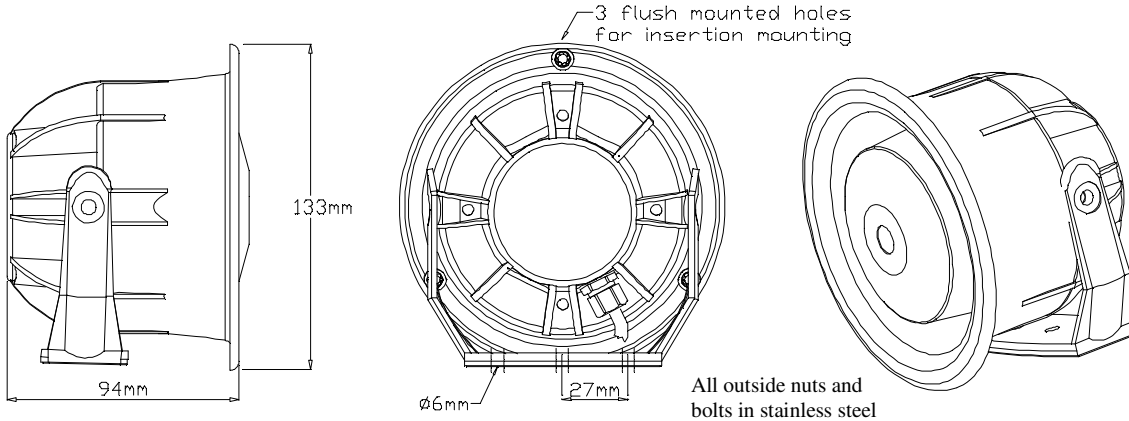
Phone..... + 1 484 494 5790

Fax..... + 1 484 494 5793

E-mail..... dnh@dnhspeakers.com

HP-8(T)

ISO 9001 CERTIFIED



Transformer:
100 Volt line

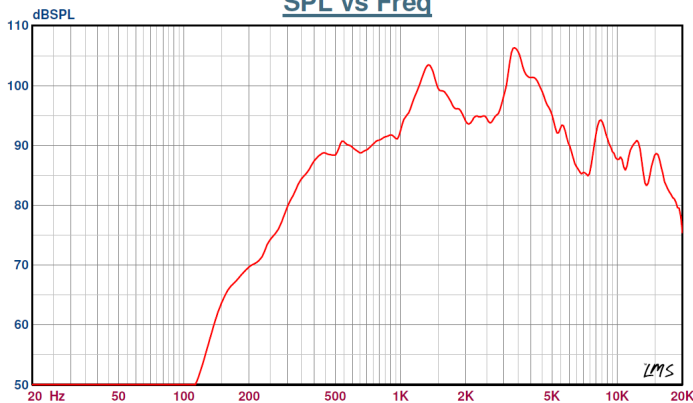
Primary nominal
tappings:

1 : 2	8,0 W
2 : 3	4,0 W
3 : 4	2,0 W
1 : 3	1,5 W
2 : 4	0,7 W
1 : 4	0,4 W

1 = Red, 2 = Yellow
3 = Green, 4 = Blue

Sound pressure levels at different frequencies at 1W/1m MP-2,5

SPL vs Freq



Material / Color..... Polyamide / RAL 7035
 Mounting..... Bracket or insertion
 Termination..... 0,5 m cable
 Weight..... 0,61 kg
 IP-rating67
 Max. / min. amb. temp..... 150 °C / -50 °C
 Rated / max. power8 W / 15 W
 SPL 1W/1m 101 dB
 SPL rated power 110 dB
 Effective freq. range..... 300 – 20000 Hz
 Dispersion (-6dB)
 Options Impedances, colors, labels

Installation, Operation and Maintenance Procedures

- For insertion mounting punch three screws through knockout holes
Fasten bracket with 2-3 screws.
- The cable should be terminated in a suitable junction box.
- To change the position of the loudspeaker please adjust the bracket (by loosening / tightening the screws) as required.
- For optimum performance, always use the correct voltage / power and operate within the frequency limits as stated.
- This loudspeaker is supplied with a 2 year warranty against defective workmanship.



DNH reserves the right to alter specifications without notice

Rev. 18.8.2011