



DNH^{AS}

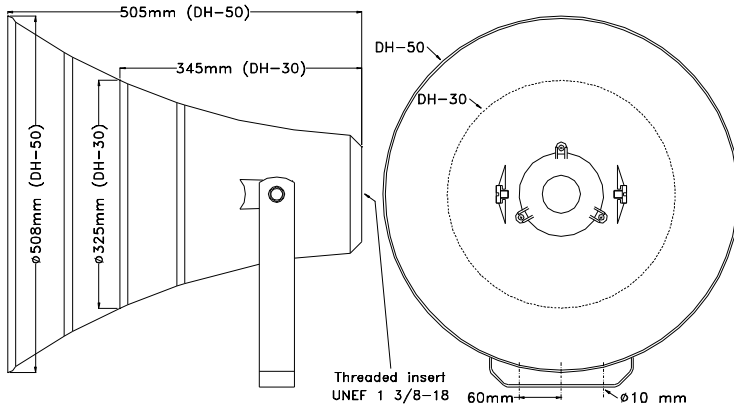
**N-3770 Kragerø
NORWAY**
 Phone: (47) 35 98 56 00
 Fax: (47) 35 98 56 10
 E-mail: dnh@dnh.no
 Web-site: www.dnh.no

**DNH WW Ltd.
England**
 Phone:.....(44) 1908 275 000
 Fax:.....(44) 1908 275 100
 E-mail:.....dnh@dnh.co.uk

**DNH GmbH
Germany**
 Phone:.....(49) 040 6569 30-0
 Fax:.....(49) 040 6569 30-30
 E-mail:.....dnh@dnh.de

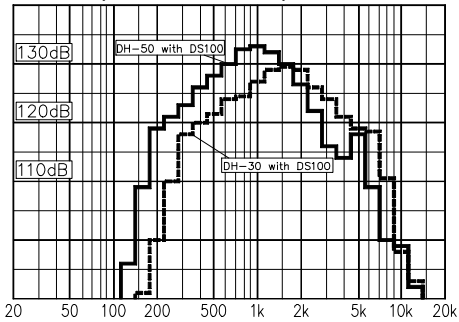
**DNH
Speakers Inc.
USA**
 Phone:.....(1) 484 494 5790
 Fax:.....(1) 484 494 5793
 E-mail:.....dnh@dnhspeakers.com

ISO 9001 CERTIFIED



Stainless steel
bracket

100W/1m Pink Noise 1/3 octave bands



Material / Colour ..Fiberglass laminated polyester / RAL 7035
 Mounting.....Bracket
 Termination.....
 Weight DH-30 / DH-50 3,6 kg / 5,15 kg
 IP-rating.....
 Max. / min. amb. temp.....
 Standard version.....
 Rated / max. power
 SPL 1W/1m
 SPL rated power
 Effective freq. range.....
 Dispersion (-6dB) 1kHz / 4kHz.....
 Directivity factor, Q
 Options.....Impedances, colors, labels

Installation, Operation and Maintenance Procedures

- To change the position of the horn please adjust the bracket (by loosening / tightening the screws) as required.
- This horn is supplied with a 2 year warranty against defective workmanship.

