



DNH

HEAD OFFICE, NORWAY
DNH AS

Phone..... + 47 35 98 56 00
Fax..... + 47 35 98 56 10
E-mail..... dnh@dnh.no
Web-site..... www.dnh.no

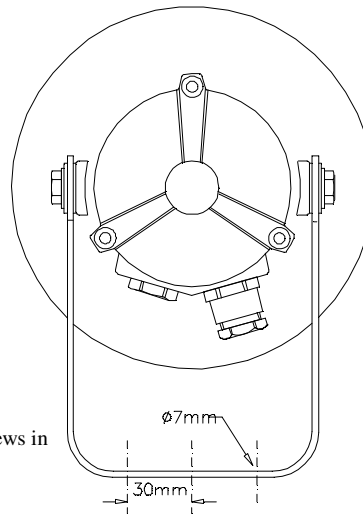
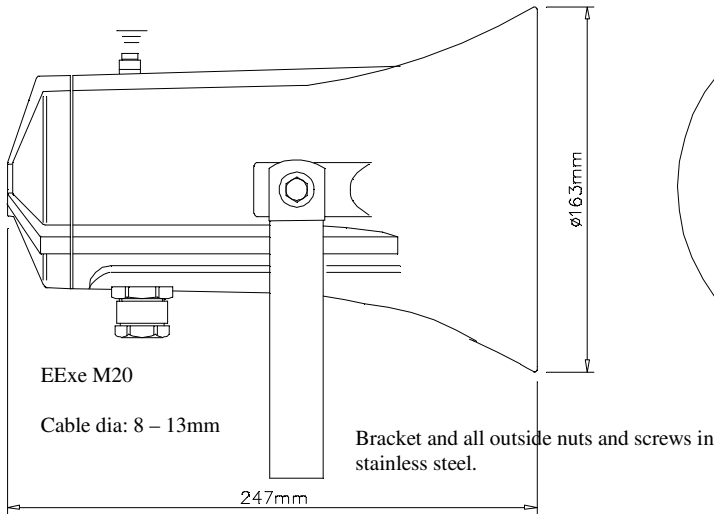
ENGLAND
DNH WW Ltd
Phone..... + 44 1908 275 000
Fax..... + 44 1908 275 100
E-mail..... dnh@dnh.co.uk

GERMANY
DNH GmbH
Phone... + 49 040 6569 30-0
Fax..... + 49 040 6569 30-30
E-mail..... dnh@dnh.de

USA
DNH Speakers Inc
Phone..... + 1 484 494 5790
Fax..... + 1 484 494 5793
E-mail.dnh@dnhspeakers.com

HS-15EExIIN(T)

ISO 9001 CERTIFIED



Combined Transformer

Primary tapings:
5 : 7 70 V line
5 : 8 100 V line
(optional 50V)

Secondary nominal tapings:

1 : 4 15,0 W
1 : 3 8,0 W
2 : 4 5,0 W
1 : 2 4,5 W
3 : 4 2,5 W
2 : 3 1,0 W

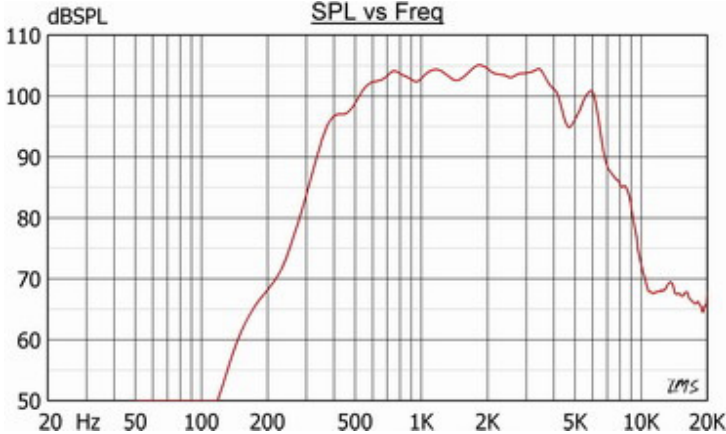
Certified by NEMKO / Number: Nemko 10ATEX1056



II 3 G Ex nA II Gc
II 3 D Ex tc III C T79°C

SPL at 1W/1m Sine wave

SPL vs Freq



Material / ColorAluminum alloy / RAL 7035
Mounting Bracket
Termination e-chamber, screw terminals
Weight w/ transformer 2,7 kg
IP-rating 67
Max / min amb temp..... +50 °C / -50 °C
Rated / max. power 15 W / 15 W
SPL 1W/1m.....107 dB
SPL rated power118 dB
Effective freq range 370 – 7000 Hz
Dispersion (-6dB) 1kHz / 4kHz 150° / 40°
Options.....Impedances, colors, labels

Installation, Operation and Maintenance Procedures

- When mounting the loudspeaker please ensure that it is re-assembled in the same manner in which it was received. Fasten the bracket to wall with 1-3 screws and ensure to use all washers in the same position that the loudspeaker is delivered with. (To isolate the main body from the bracket)
- To change the position of the loudspeaker, please adjust the bracket (by loosening / tightening the screws) as required.
- For optimum performance, always use the correct voltage / power and operate within the frequency limits as stated.
- Use only certified/specified cable glands and blanking plugs reflecting the same specifications as the rest of the loudspeaker with respect to IP rating and environmental temperature. (ATEX approved)
- **WARNING : Do not open loudspeaker when the loudspeaker is energized.**
- The aluminum surface of the loudspeaker should be regularly treated with paint at the same interval as with other similar outdoor equipment. Keep the loudspeaker clean of foreign elements, such as dust, chemicals, soaps, acids etc. And do not puncture the polyester surface of the speaker.
- If the loudspeaker is to be earthed, this must be done correctly to avoid galvanic corrosion.
- Fasten lid with a torque of 2 - 3 Nm to assure the IP rating.
- This loudspeaker is supplied with a 2 year warranty against defective materials and workmanship.



DNH reserves the right to alter specifications without notice

Rev. 24.05.2011