



DNH

HEAD OFFICE, NORWAY

DNH AS

Phone..... + 47 35 98 56 00

Fax..... + 47 35 98 56 10

E-mail..... dnh@dnh.no

Web-site..... www.dnh.no

ENGLAND

DNH WW Ltd

Phone..... + 44 1908 275 000

Fax..... + 44 1908 275 100

E-mail..... dnh@dnh.co.uk

GERMANY

DNH GmbH

Phone... + 49 040 6569 30-0

Fax..... + 49 040 6569 30-30

E-mail..... dnh@dnh.de

USA

DNH Speakers Inc

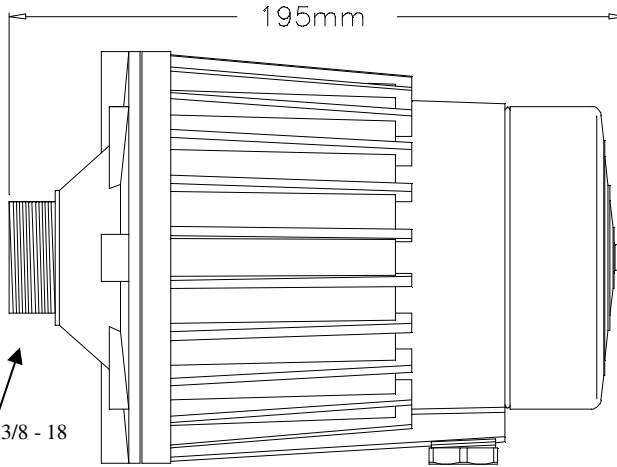
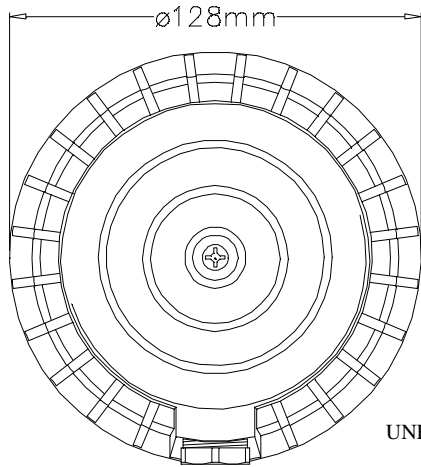
Phone..... + 1 484 494 5790

Fax..... + 1 484 494 5793

E-mail..... dnh@dnhspeakers.com

DST-40ExeN(T)

ISO 9001 CERTIFIED



Transformer:

100 V line (optional 70V, 50V)

Primary nominal tapings:

1 : 2 40,0 W

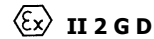
1 : 3 20,0 W

1 : 4 10,0 W

M20
Cable diameter:
8 - 13 mm

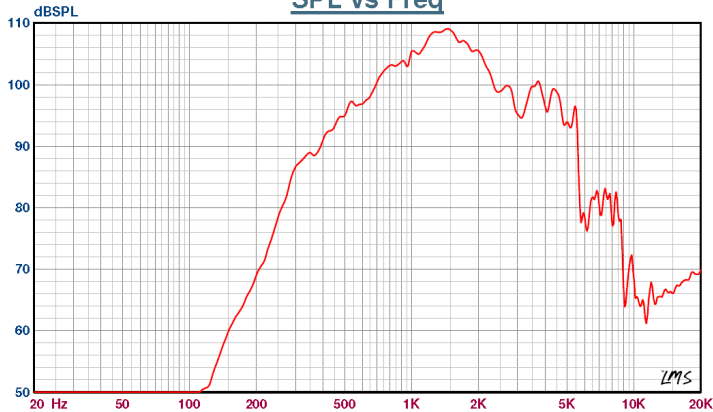
Certified by / Certification code / Number: NEMKO / EEx de IIB+H₂ T4 / 04 ATEX 1371

Certified by / Certification code / Number: NEMKO / EEx de IIC T4 / 04 ATEX 1371



Sound pressure levels at different frequencies at 1W/1m DHP with DST-40

SPL vs Freq



IIB IIC

Material / ColorAluminum alloy / RAL 9005

MountingThreaded UNEF 1 3/8 - 18

TerminationInside screw terminals

Weight w/transformer2,5 kg

IP-rating67

Max / min amb temp50 °C / -50 °C

Rated / max power40 W / 40 W

SPL 1W/1m with horn109 dB

SPL rated power with horn123 dB

Effective freq range with horn300-6000 Hz

Dispersion (-6dB) 1kHz / 4kHz.....° / °

OptionsImpedances, colors, labels

105 dB

119 dB

400-5500Hz

Installation, Operation and Maintenance Procedures

- Screw driver unit into a suitable horn.
- Remove lid, connect wires to the ATEX certified terminal, and turn lid back on with gasket. Fasten lid with a torque of 2 – 3 Nm.
- For optimum performance, always use the correct voltage / power and operate within the frequency limits as stated.
- The aluminum surface of the loudspeaker should be regularly treated with paint at the same interval as with other similar outdoor equipment.
- This loudspeaker is supplied with a 2 year warranty against defective materials and workmanship.



DNH reserves the right to alter specifications without notice

Rev. 19.9.2011