



# DNH

HEAD OFFICE, NORWAY

**DNH AS**

Phone..... + 47 35 98 56 00

Fax..... + 47 35 98 56 10

E-mail..... dnh@dnh.no

Web-site..... www.dnh.no

ENGLAND

**DNH WW Ltd**

Phone..... + 44 1908 275 000

Fax..... + 44 1908 275 100

E-mail..... dnh@dnh.co.uk

GERMANY

**DNH GmbH**

Phone... + 49 040 6569 30-0

Fax..... + 49 040 6569 30-30

E-mail..... dnh@dnh.de

USA

**DNH Speakers Inc**

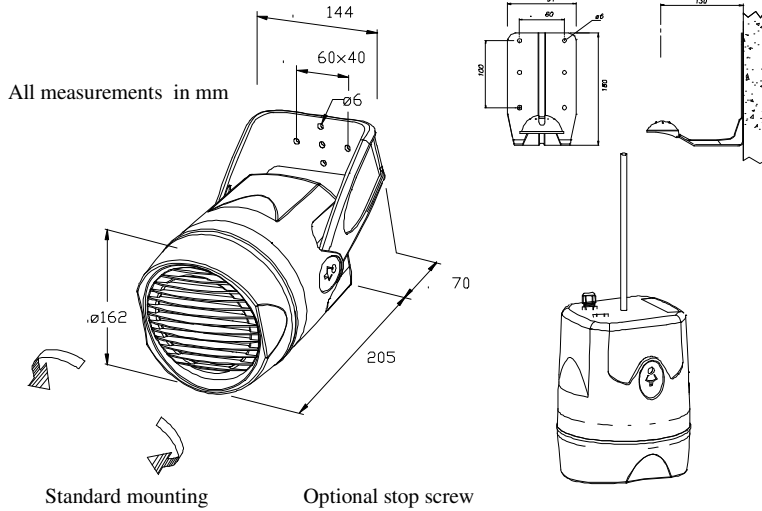
Phone..... + 1 484 494 5790

Fax..... + 1 484 494 5793

E-mail..... dnh@dnhspeakers.com

ISO 9001 CERTIFIED

## VEP-15(T)



Delivered with 1 x M20 cable gland and 1 x blanking plug.

Transformer:  
Combined  
70/100Volt line  
White : Red 100 V  
White : Green 70 V

Optional mounting systems

Secondary nominal tappings:

C : 15	15,0 W
C : 10	10,0 W
C : 5	5,0 W
C : 1	1,0 W

All outside nuts and screws in stainless steel.

### Sound pressure levels at different frequencies at 1W/1m



Material / Colour ..... ABS / V0 / RAL7035  
 Mounting..... Bracket  
 Termination ..... Internal screw terminals  
 Weight w/ transformer ..... 1,84 kg  
 IP-rating..... 55  
 Max. / min. amb. temp ..... 90 °C / -40 °C  
 Rated / max. power..... 15 W / 20 W  
 SPL 1W/1m ..... 92 dB  
 SPL rated power..... 104 dB  
 Effective freq. range..... 150 – 20000 Hz  
 Dispersion (-6dB) 1kHz / 4kHz..... ° / °  
 Options ..... Impedances, colors, labels

## Installation, Operation and Maintenance Procedures

- When mounting the loudspeaker please ensure that it is re-assembled in the same manner in which it was received.
- Fasten bracket with minimum 2 screws.
- To open the loudspeaker turn the front gently counter clockwise and pull. To close the loudspeaker, align the two marks on the front and rear parts, and turn the front gently clockwise till it stops.
- Use the attached stop screw to secure the front from undesirable opening during operation. (Optional)
- For optimum performance, always use the correct voltage / power and operate within the frequency limits as stated.
- Do not open loudspeaker when energized.
- This loudspeaker is supplied with a 2 year warranty against defective workmanship



DNH reserves the right to alter specifications without notice

Rev. 08.08.2011