



# DNH

HEAD OFFICE, NORWAY

**DNH AS**

Phone..... + 47 35 98 56 00

Fax..... + 47 35 98 56 10

E-mail..... dnh@dnh.no

Web-site..... www.dnh.no

ENGLAND

**DNH WW Ltd**

Phone..... + 44 1908 275 000

Fax..... + 44 1908 275 100

E-mail..... dnh@dnh.co.uk

GERMANY

**DNH GmbH**

Phone... + 49 040 6569 30-0

Fax..... + 49 040 6569 30-30

E-mail..... dnh@dnh.de

## CAREEX-36(T)

USA

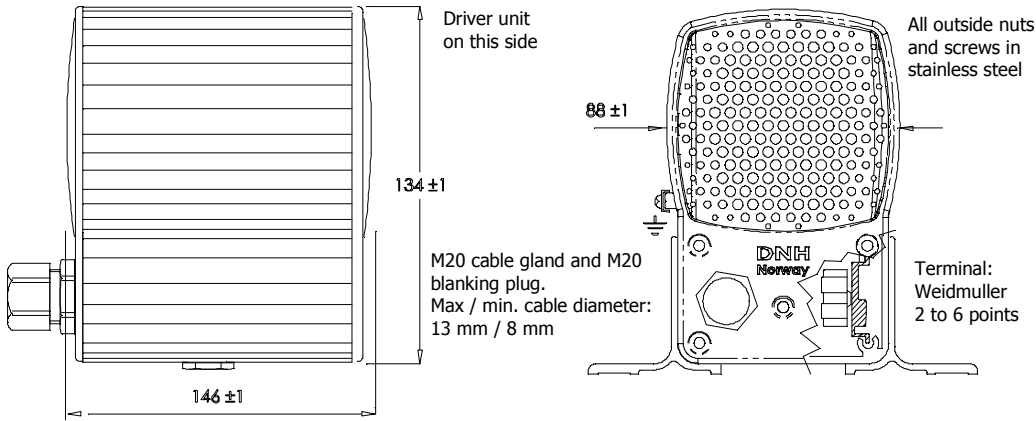
**DNH Speakers Inc**

Phone..... + 1 484 494 5790

Fax..... + 1 484 494 5793

E-mail..... dnh@dnhspeakers.com

ISO 9001 CERTIFIED



Transformer:  
100 V line (optional 70V, 50V)

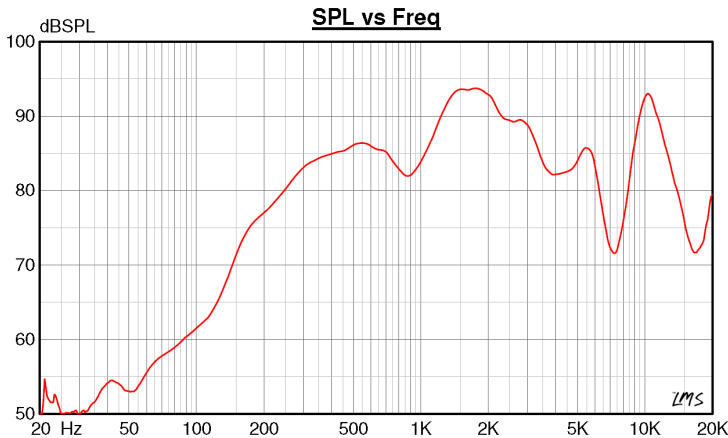
Primary nominal tapings:

|       |      |
|-------|------|
| 1 : 2 | 6,0W |
| 2 : 3 | 3,0W |
| 3 : 4 | 1,5W |
| 1 : 3 | 1,0W |
| 2 : 4 | 0,6W |
| 1 : 4 | 0,4W |

1 = Red, 2 = Yellow  
3 = Green, 4 = Blue

Certified by/ Certification code / Number : NEMKO / EEx de IIB+H2 T6 / Nemko 07 ATEX 1019 II 2 G

### Sound pressure levels at different frequencies at 1W/1m



Material / Color.....Aluminum / anodized  
 Mounting ..... Foot Bracket  
 Termination..... e-chamber, screw terminals  
 Weight w/ transformer ..... 2,1 kg  
 IP-rating (e-chamber) ..... 67  
 Max / min amb temp..... 40°C / -20°C  
 Rated / max power .....6 W / 6 W  
 SPL 1W/1m ..... 84 dB  
 SPL rated power ..... 91 dB  
 Effective freq range ..... 180 – 150000 Hz  
 Dispersion (-6dB) 1kHz / 4kHz ..... ° / °  
 Options..... Impedances, colors, labels

## Installation, Operation and Maintenance Procedures

- When mounting the loudspeaker please ensure that it is re-assembled in the same manner in which it was received.
- Fasten loudspeaker to wall or ceiling with 4 screws by use of the extruded aluminum brackets on each side.
- Enter the e-chamber by loosening the screws on the lid and terminate the cable in the screw terminal.
- Fasten lid screws with a torque of 2 - 3 Nm to assure the IP rating.
- For optimum performance, always use the correct voltage / power and operate within the frequency limits as stated.
- Use only certified/specified cable glands and blanking plugs.
- Do not open loudspeaker when energized.
- Ex-loudspeakers must be earthed correctly using the specially marked screws.
- This loudspeaker is supplied with a 2 year warranty against defective materials and workmanship.



DNH reserves the right to alter specifications without notice

Rev. 04.10.2011