



DNH

HEAD OFFICE, NORWAY

DNH AS

Phone..... + 47 35 98 56 00

Fax..... + 47 35 98 56 10

E-mail..... dnh@dnh.no

Web-site..... www.dnh.no

ENGLAND

DNH WW Ltd

Phone..... + 44 1908 275 000

Fax..... + 44 1908 275 100

E-mail..... dnh@dnh.co.uk

GERMANY

DNH GmbH

Phone... + 49 040 6569 30-0

Fax..... + 49 040 6569 30-30

E-mail..... dnh@dnh.de

USA

DNH Speakers Inc

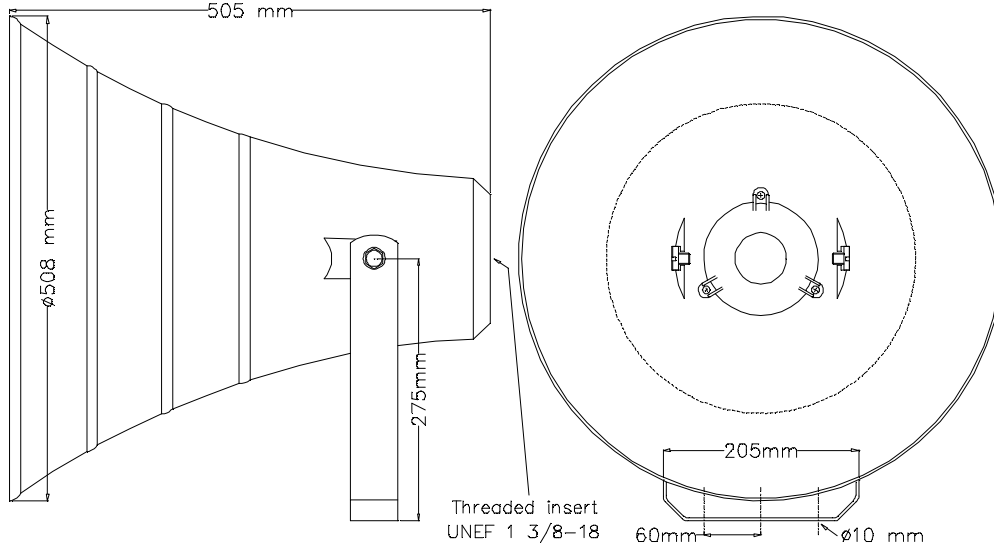
Phone..... + 1 484 494 5790

Fax..... + 1 484 494 5793

E-mail..... dnh@dnhspeakers.com

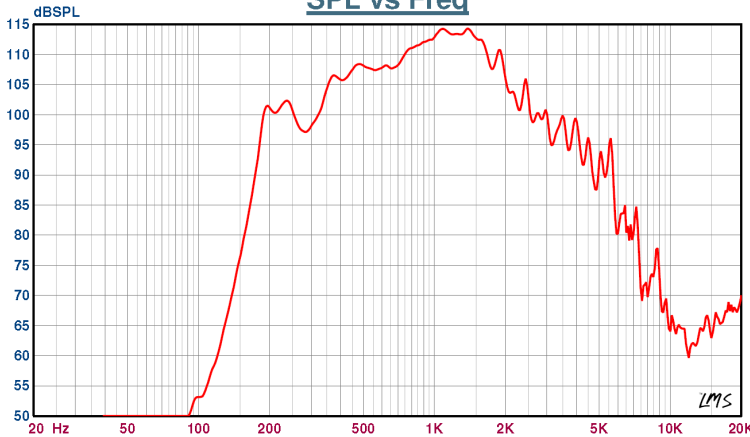
ISO 9001 CERTIFIED

DH-50



Sound pressure levels at different frequencies at 1W/1m Tested with DS-100 driver

SPL vs Freq



Material/Colour.... Fiberglass laminated polyester / RAL 7035
 Mounting Bracket
 Termination
 Weight 5,15 kg
 IP-rating
 Max. / min. amb. temp
 Standard version
 Rated / max. power
 SPL 1W/1m.....
 SPL rated power.....
 Effective freq. range
 Dispersion (-6dB) 1kHz / 4kHz.....
 Directivity factor, Q.....
 Options Impedances, colors, labels

Installation, Operation and Maintenance Procedures

- To change the position of the horn, please adjust the bracket (by loosening / tightening the screws) as required.
- This horn is supplied with a 2 year warranty against defective materials and workmanship.



DNH reserves the right to alter specifications without notice

Rev. 15.9.2011