



DNH

HEAD OFFICE, NORWAY

DNH AS

Phone..... + 47 35 98 56 00

Fax..... + 47 35 98 56 10

E-mail..... dnh@dnh.no

Web-site..... www.dnh.no

ENGLAND

DNH WW Ltd

Phone..... + 44 1908 275 000

Fax..... + 44 1908 275 100

E-mail..... dnh@dnh.co.uk

GERMANY

DNH GmbH

Phone... + 49 040 6569 30-0

Fax..... + 49 040 6569 30-30

E-mail..... dnh@dnh.de

USA

DNH Speakers Inc

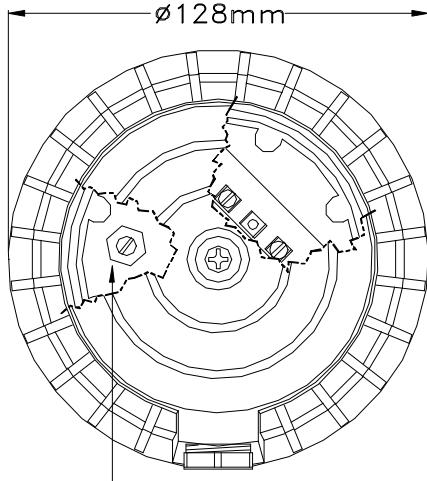
Phone..... + 1 484 494 5790

Fax..... + 1 484 494 5793

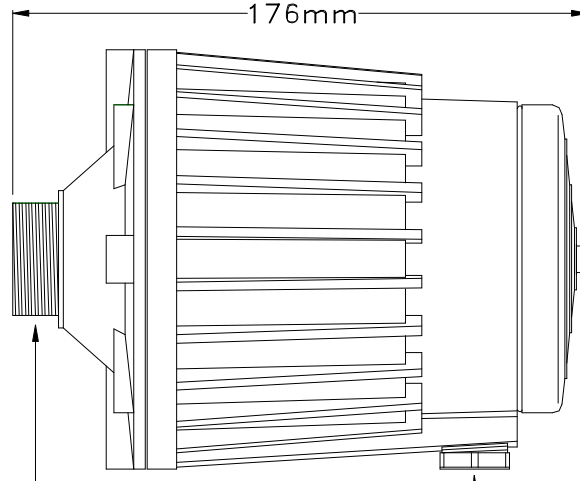
E-mail..... dnh@dnhspeakers.com

ISO 9001 CERTIFIED

DST-100



Tapping selector



UNEF 1 3/8 - 18

Cable Entry

M20
Cable diameter:
8 - 13 mm

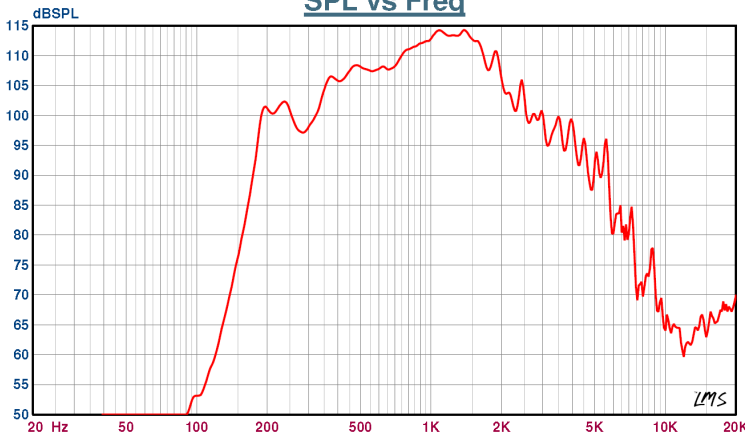
100 Volt line

Secondary switch
tappings:

1/1	100,0 W
1/2	60,0 W
1/4	30,0 W
1/8	15,0 W
1/16	7,5 W

Sound pressure levels at different frequencies at 1W/1m
Tested in DH-50

SPL vs Freq



Material / Color Aluminum alloy / RAL 7035
 Mounting..... Threaded UNEF 1 3/8 - 18
 Termination..... Inside screw terminals
 Weight driver unit 2,5 kg
 IP-rating (UL equivalent)..... 67
 Max / min amb temp 200 °C / -50 °C
 Rated / max power..... 100 W / 100 W
 SPL 1W/1m with horn..... 112 dB
 SPL rated power with horn..... 132 dB
 Effective freq range with horn 200 – 5000 Hz
 Dispersion (-6dB) 1kHz / 4kHz..... 50° / 20°
 Options Impedances, colors, labels

Installation, Operation and Maintenance Procedures

- Driver unit uses UNEF 1 3/8 -18 thread.
- Fasten lid with a torque of 2 – 3 Nm.
- For optimum performance, always use the correct voltage / power and operate within the frequency limits as stated.
- This unit is supplied with a 2 year warranty against defective materials and workmanship.



DNH reserves the right to alter specifications without notice