



# DNH

HEAD OFFICE, NORWAY  
**DNH AS**

Phone..... + 47 35 98 56 00  
Fax..... + 47 35 98 56 10  
E-mail..... dnh@dnh.no  
Web-site..... www.dnh.no

ENGLAND  
**DNH WW Ltd**

Phone..... + 44 1908 275 000  
Fax..... + 44 1908 275 100  
E-mail..... dnh@dnh.co.uk

GERMANY  
**DNH GmbH**

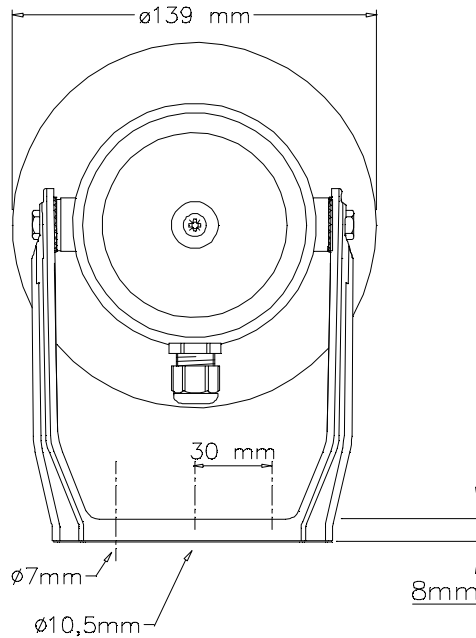
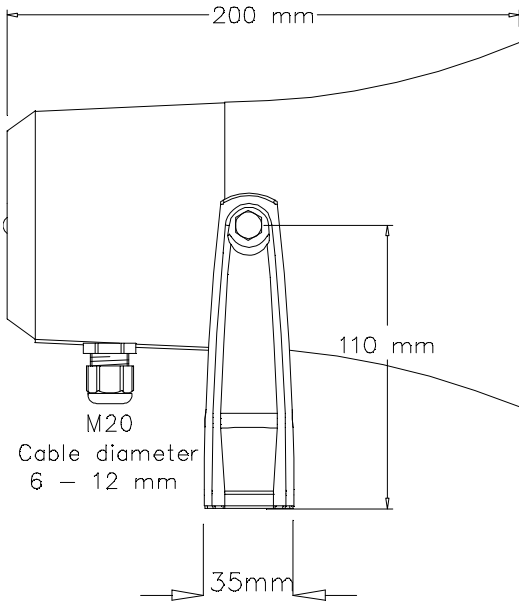
Phone... + 49 040 6569 30-0  
Fax..... + 49 040 6569 30-30  
E-mail..... dnh@dnh.de

USA  
**DNH Speakers Inc**

Phone..... + 1 484 494 5790  
Fax..... + 1 484 494 5793  
E-mail..... dnh@dnhspeakers.com

## HP-10(T)

ISO 9001 CERTIFIED



70 V /100 V combined transformer:

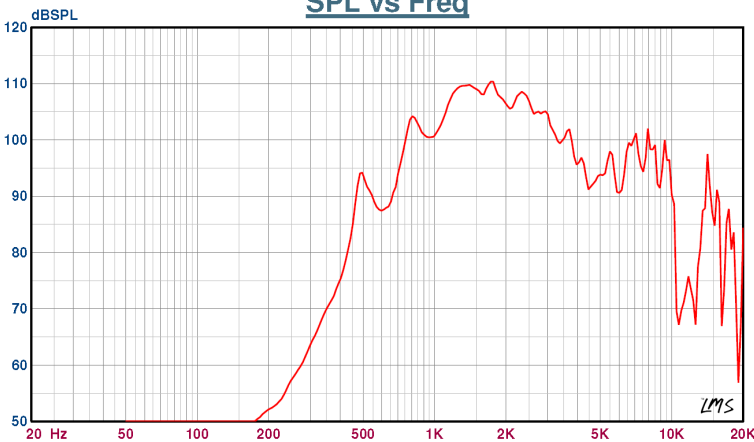
Primary connection:  
5 (White) :7 (Green) 70V  
5 (White) : 8 (Red) 100 V

Secondary nominal tapings:

C : 4	10,0 W
C : 3	5,0 W
C : 2	2,0 W
C : 1	1,0 W

Sound pressure levels at different frequencies at 1W/1m  
28mm

**SPL vs Freq**



Material / Color.....ASA / RAL 7035  
 Mounting .....Bracket  
 Termination.....Internal screw connections  
 Weight..... 1,1 kg  
 IP-rating (UL equivalent) ..... 56  
 Max / min amb temp..... 90 °C / -50 °C  
 Rated / max. power ..... 10 W / 15 W  
 SPL 1W/1m ..... 107 dB  
 SPL rated power ..... 117 dB  
 Effective freq. range .....450 – 10000 Hz  
 Dispersion (-6dB) 1kHz / 4kHz ..... 150° / 45°  
 Options..... Impedances, colors, labels

### Installation, Operation and Maintenance Procedures

- To change the position of the loudspeaker, please adjust the bracket (by loosening / tightening the screws) as required.
- Fasten bracket with 1 to 3 screws.
- Fasten lid with a torque of 1 - 2 Nm.
- For optimum performance, always use the correct voltage / power and operate within the frequency limits as stated.
- Do not open loudspeaker when energized.
- This loudspeaker is supplied with a 2 year warranty against defective materials and workmanship.



DNH reserves the right to alter specifications without notice

Rev. 29.8.2011